
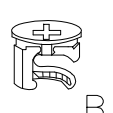
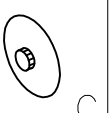
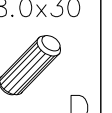
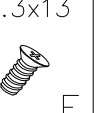
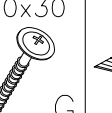
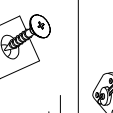


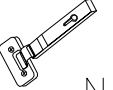

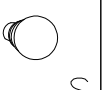
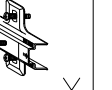
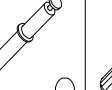
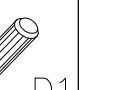





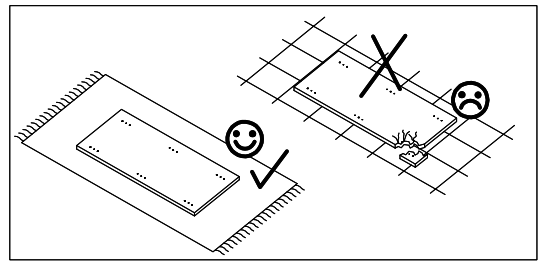
MAX
5kg

L30-451

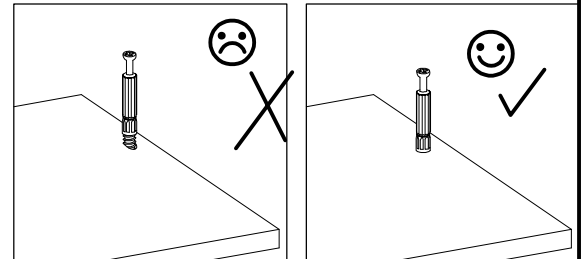
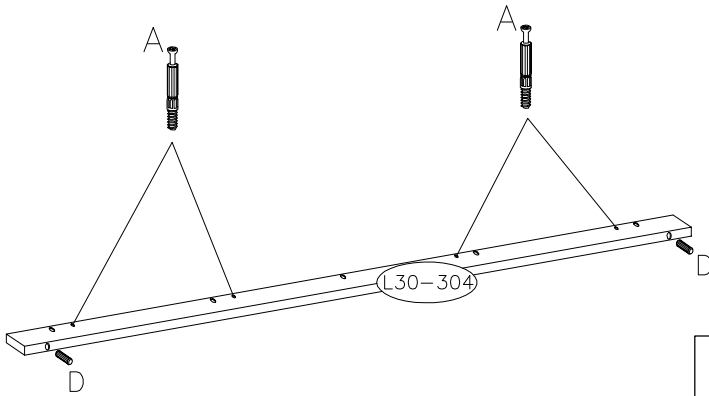
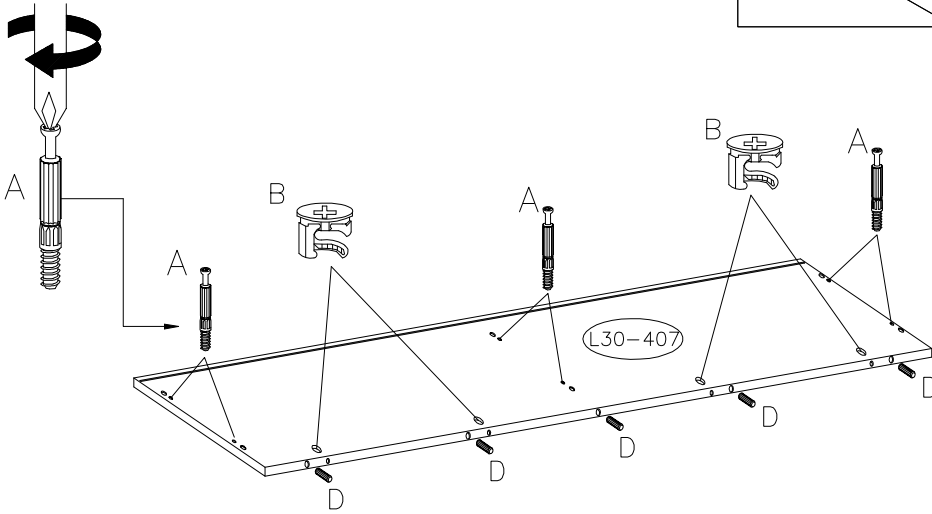
L30-452


							
A	B	C	D	F	G	J	K
28	32	24	35	6	2	12	2
							
M	N	P	S	X	Q	D1	P2
2	3	6	2	3	2	2	12

 A	 B	8.0x30
10	4	7

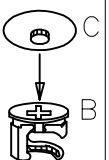
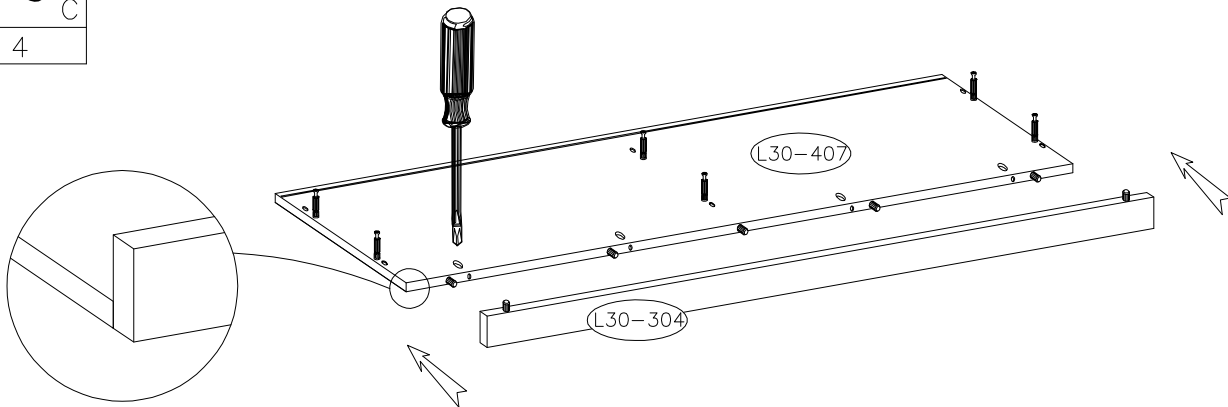






1

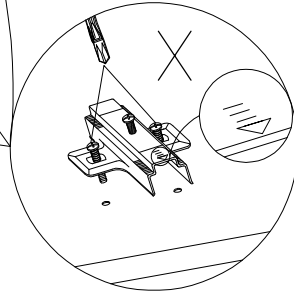
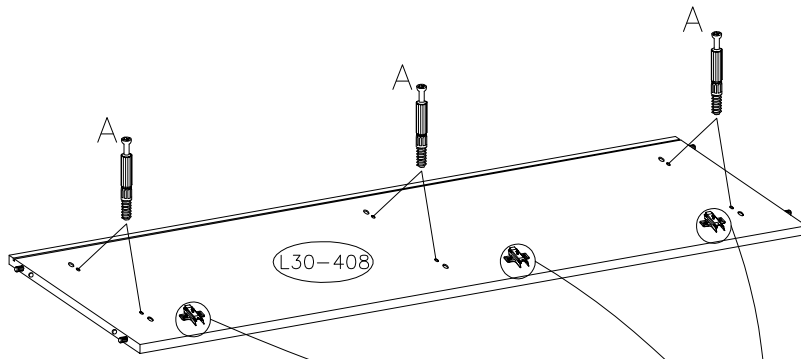
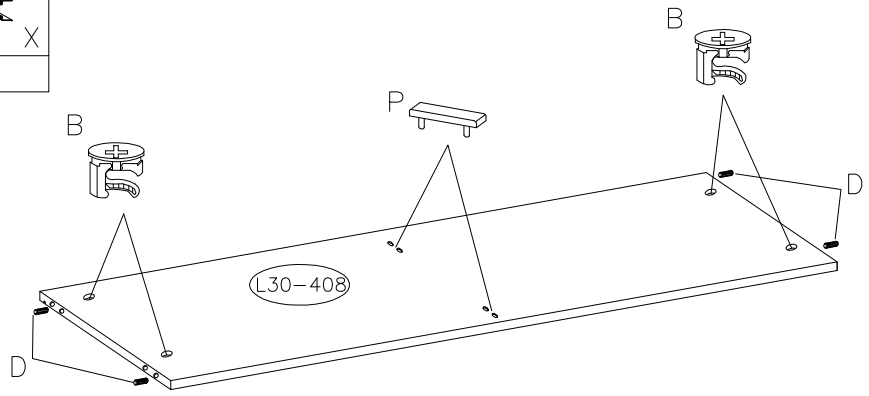



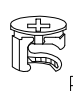

 C
4

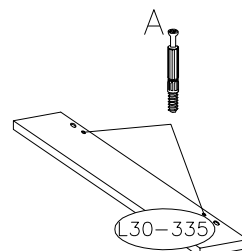
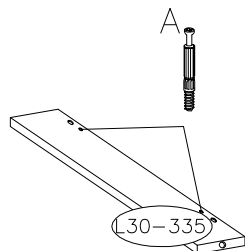
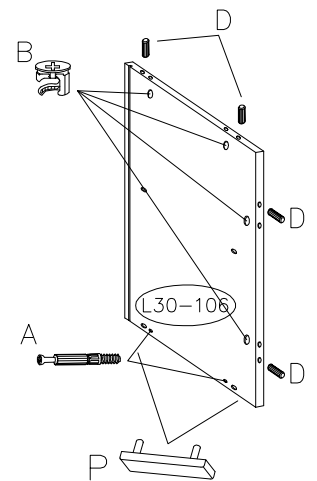
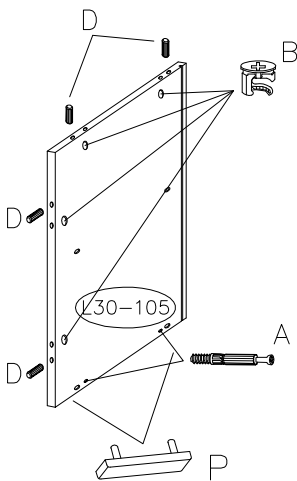
2



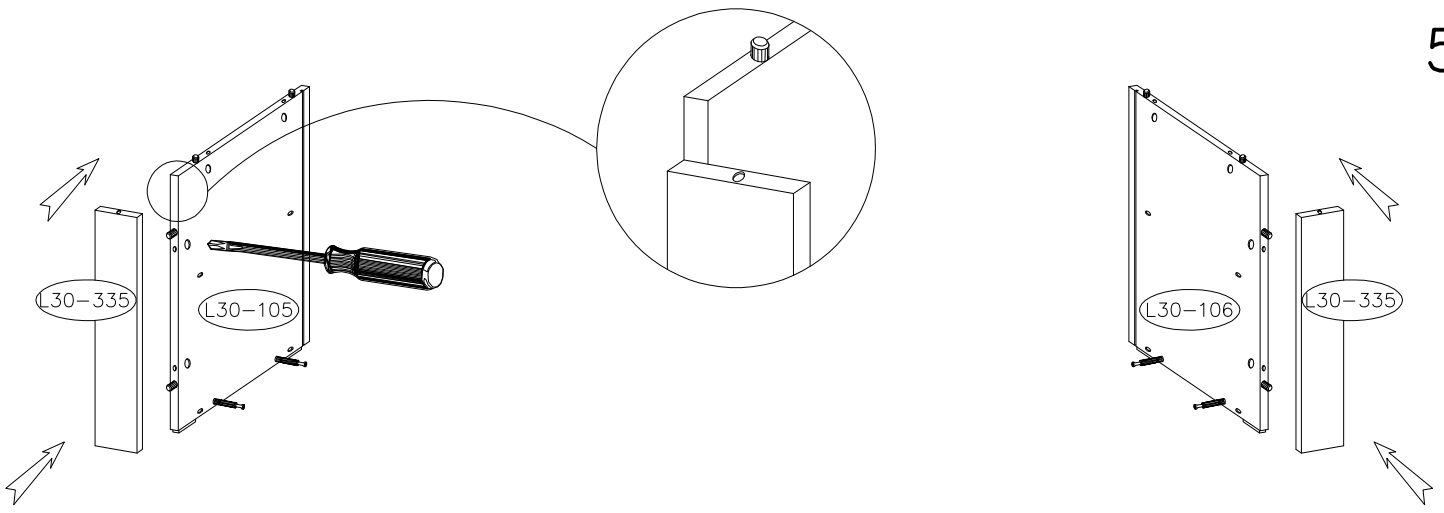
		8.0x30		
A	B	D	P	X
6	4	4	2	3





		8.0x30	
A	B	D	P
8	8	8	4

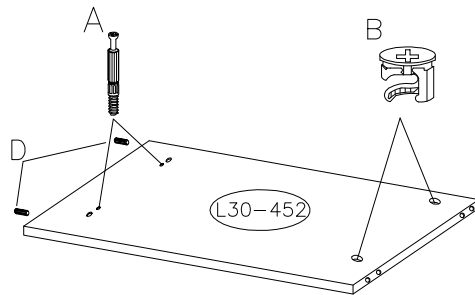
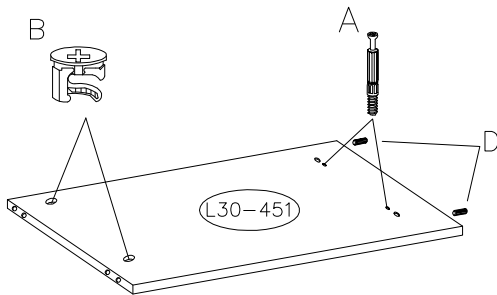
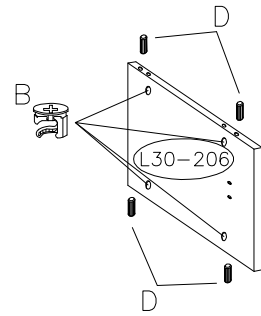
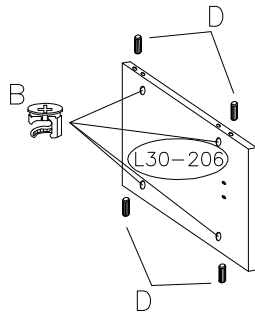
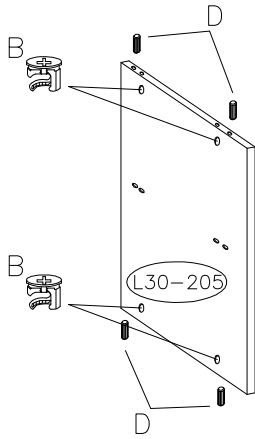


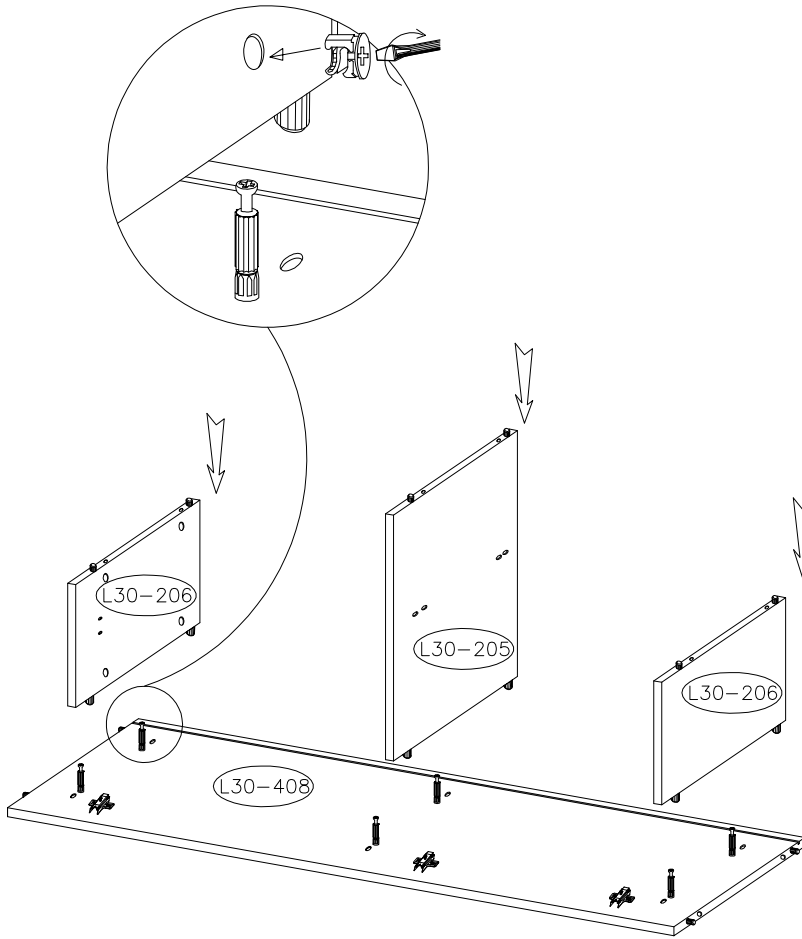
5

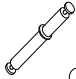


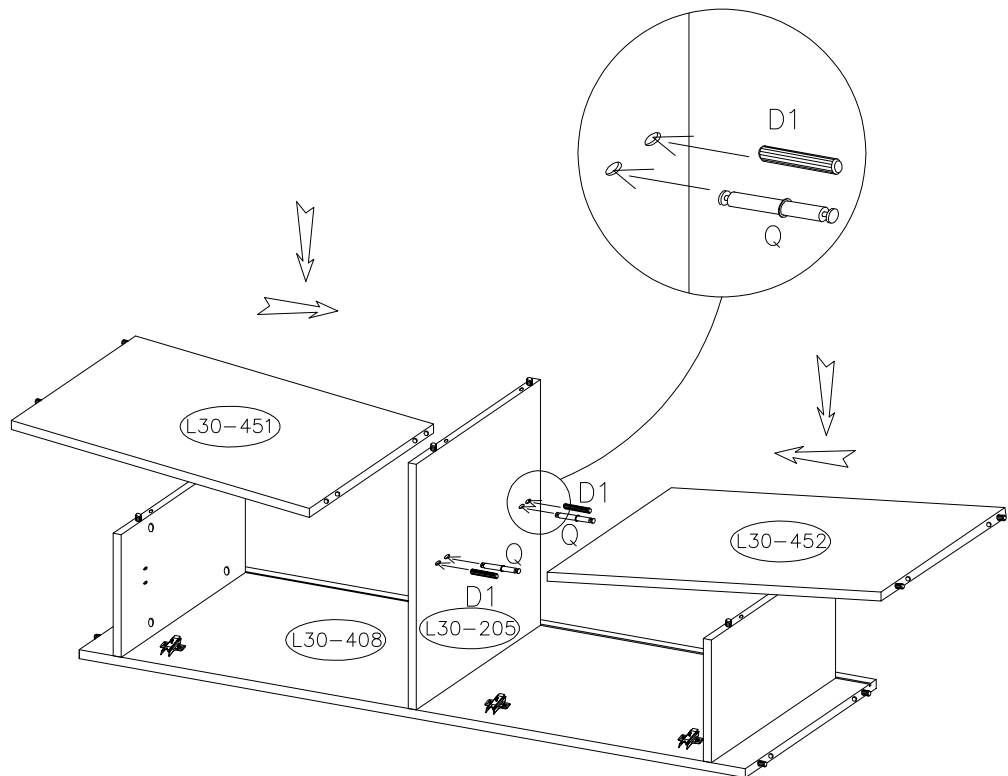
		8.0x30
A	B	D
4	16	16

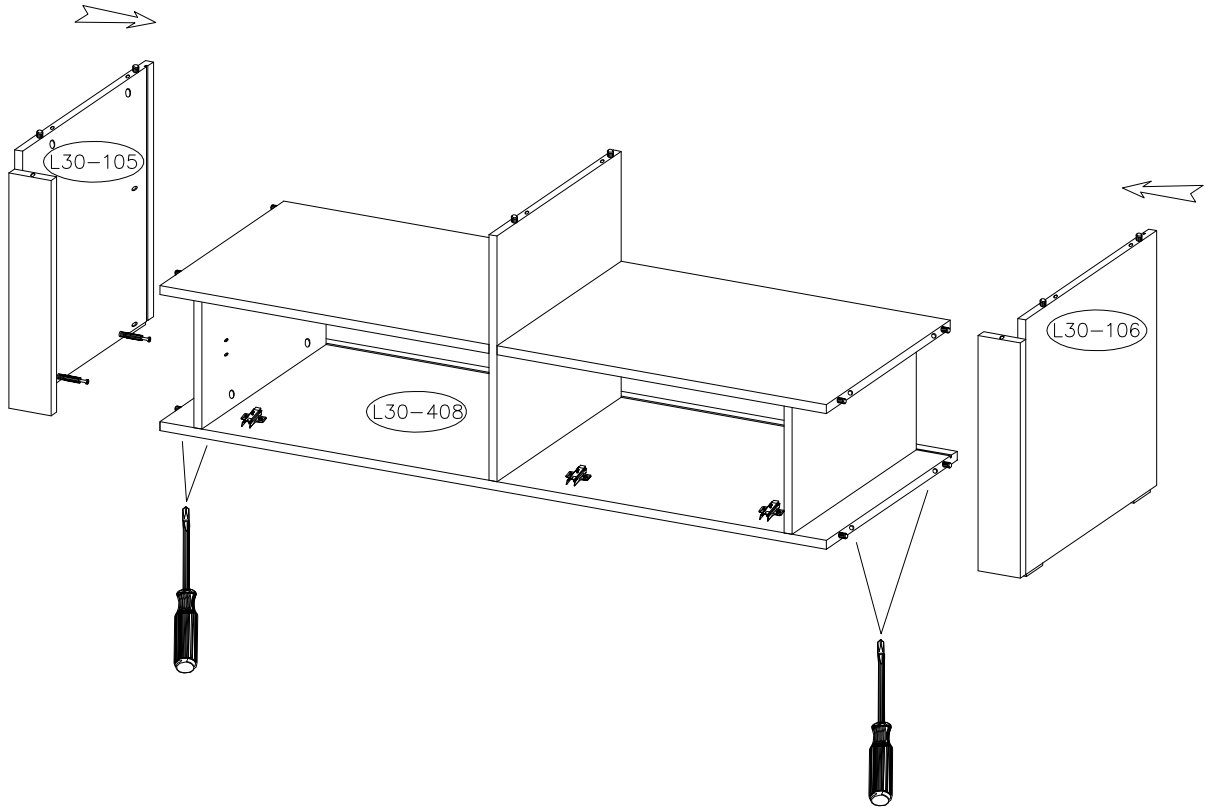
6





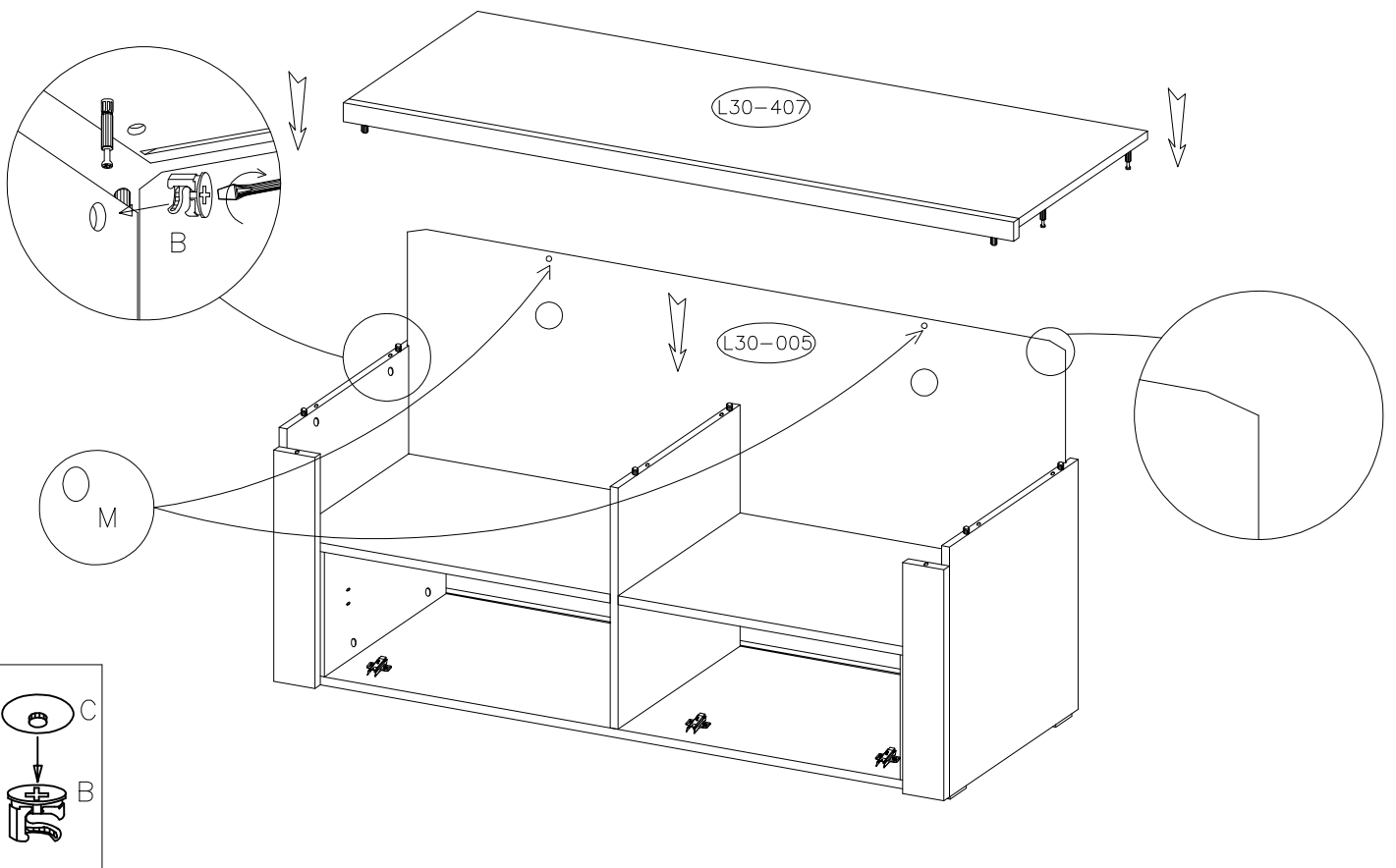


	8.0x50
Q	D1
2	2



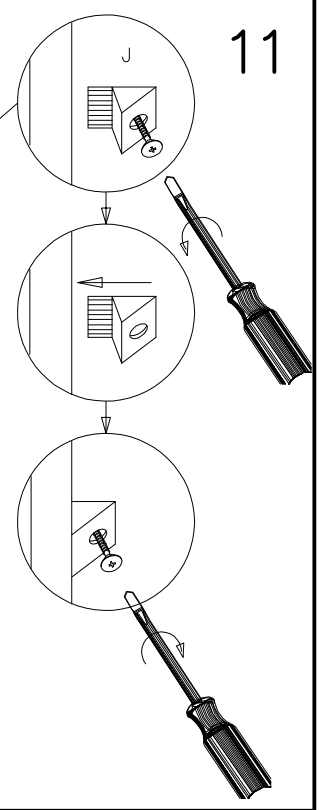
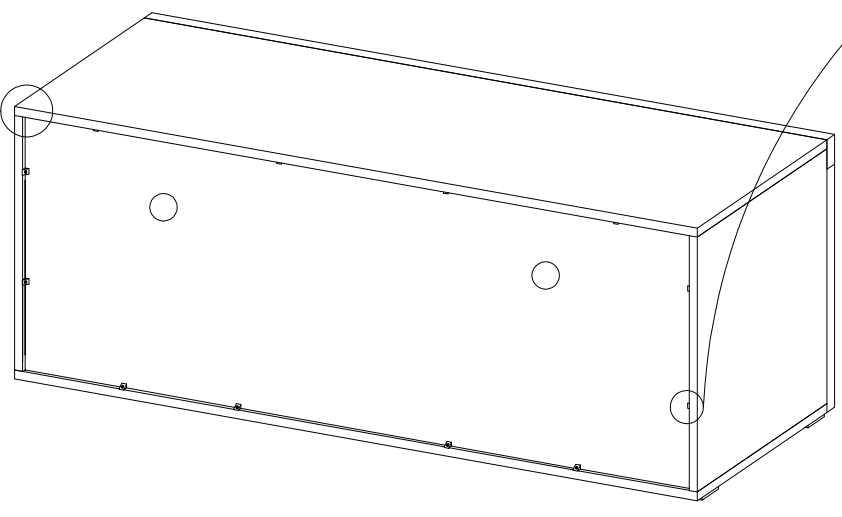
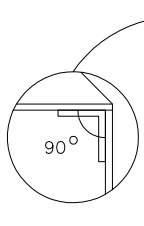


	
C	M
20	2



J
12

11



6.3x13 F	4.0x30 G	K	N	S	3.0x13 P2
6	2	2	3	2	6

12

