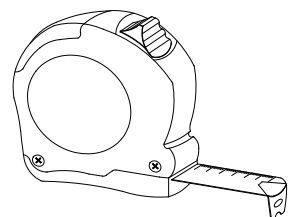
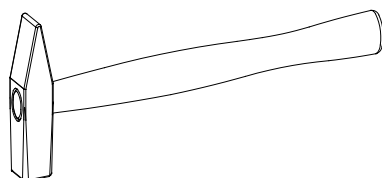
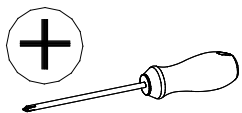
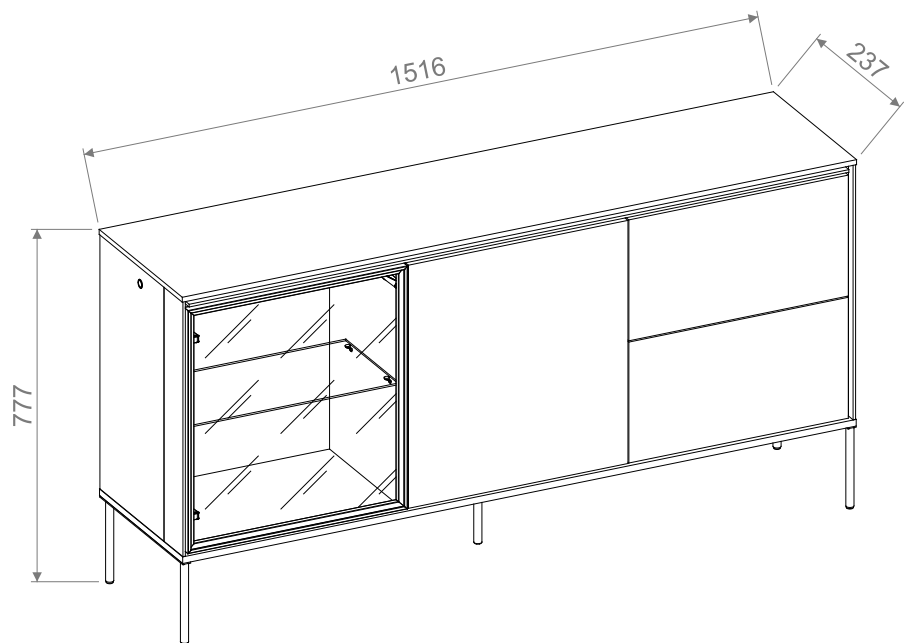
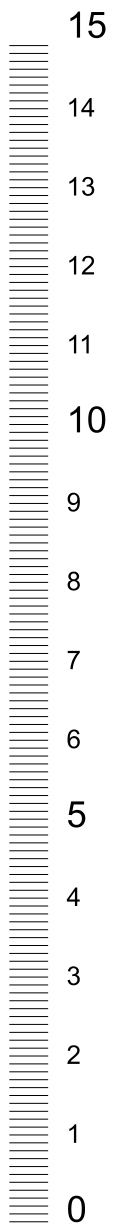
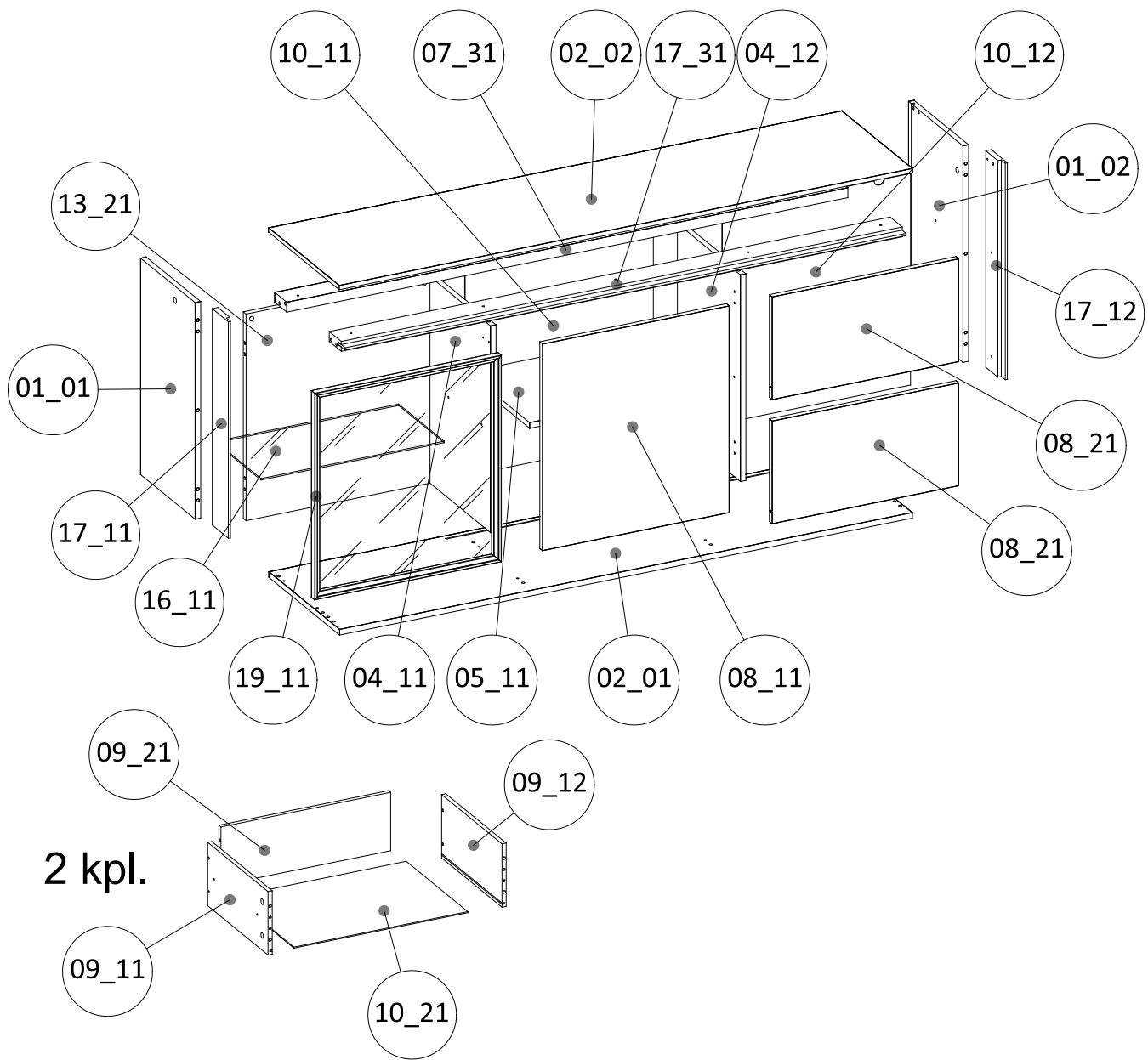


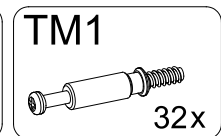
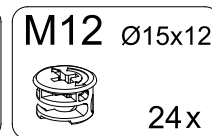
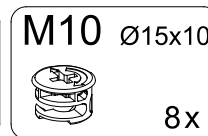
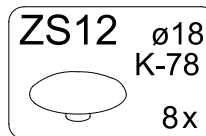
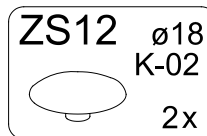
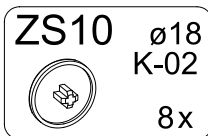
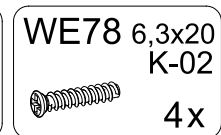
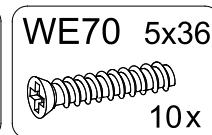
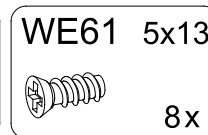
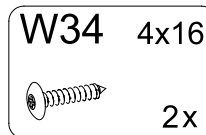
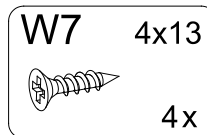
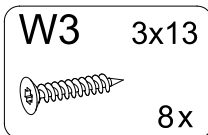
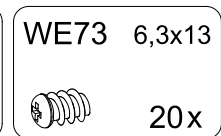
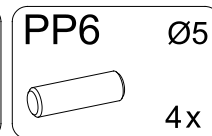
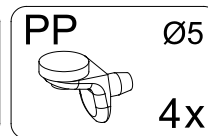
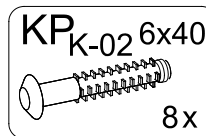
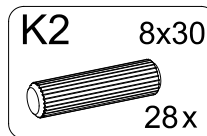
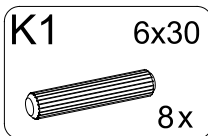
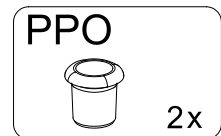
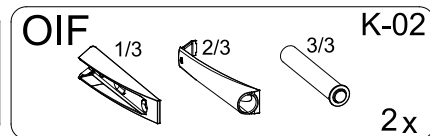
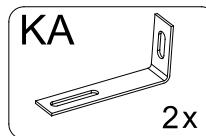
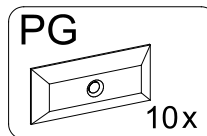
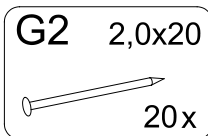
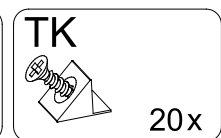
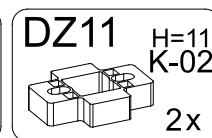
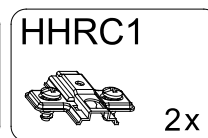
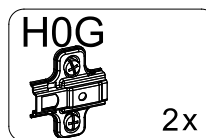
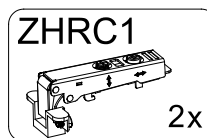
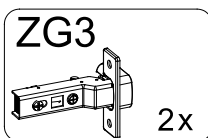
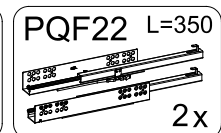
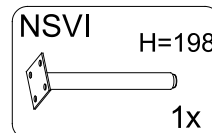
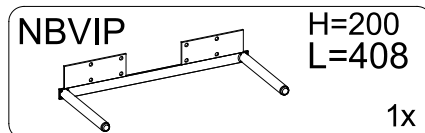
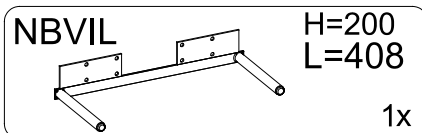
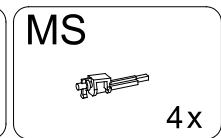
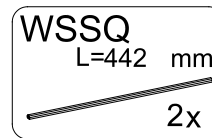
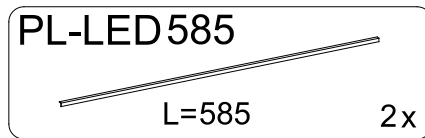
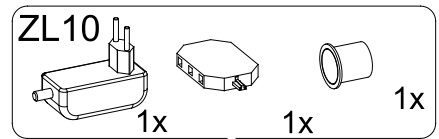
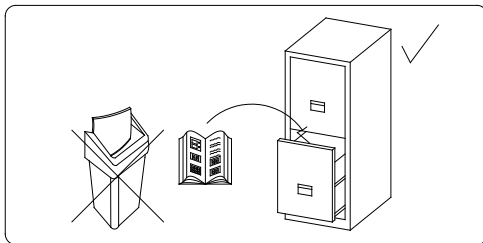
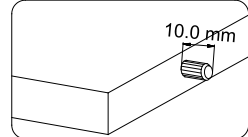
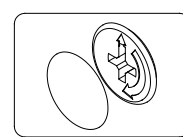
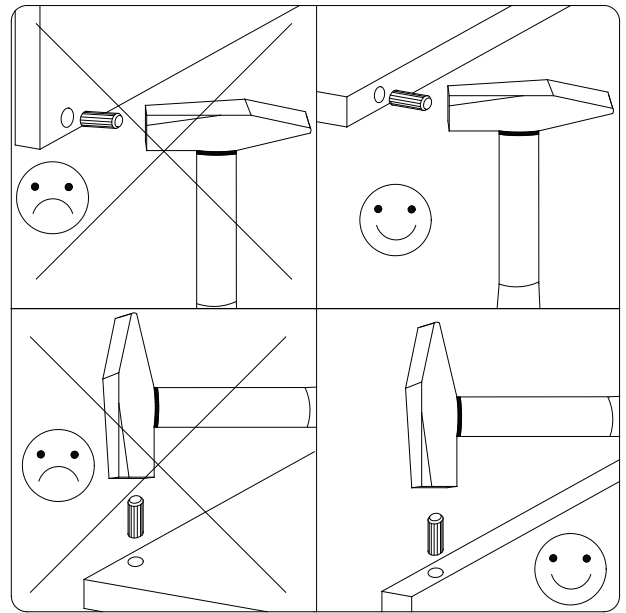
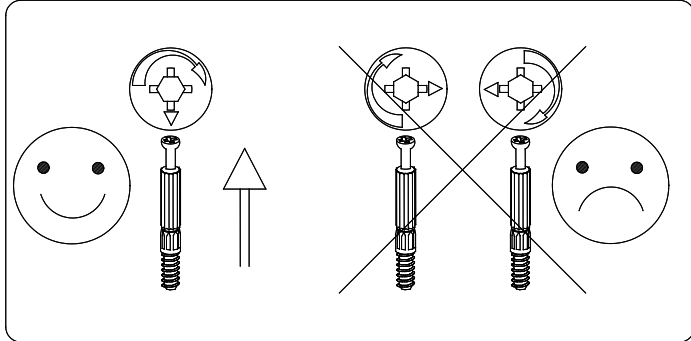
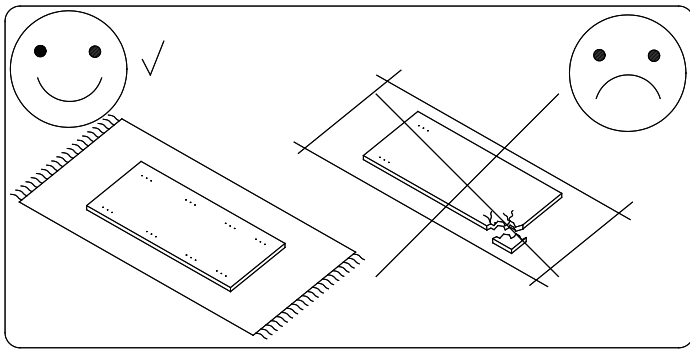
150 min





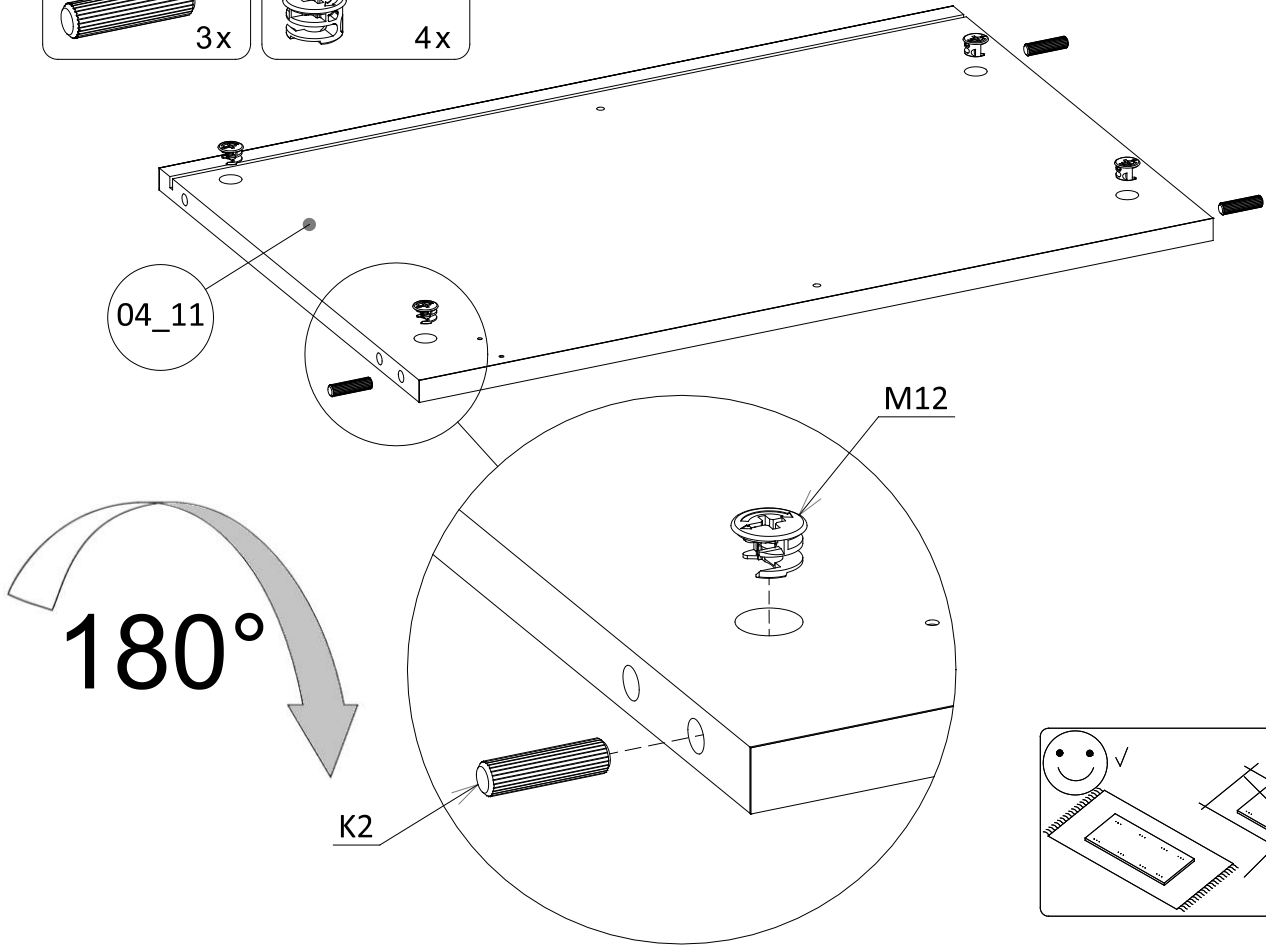
01_01	615,0	316,0	16,0	1	2/2
01_02	615,0	316,0	16,0	1	2/2
02_01	1660,0	410,0	16,0	1	2/2
02_02	1662,0	410,0	12,0	1	2/2
04_11	587,0	385,0	16,0	1	1/2
04_12	587,0	365,0	16,0	1	1/2
05_11	528,0	360,0	16,0	1	2/2
07_31	1626,0	70,4	28,0	1	2/2
08_11	587,0	541,0	16,0	1	1/2
08_21	541,0	292,0	16,0	2	1/2
09_11	350,0	180,0	12,0	2	2/2
09_12	350,0	180,0	12,0	2	2/2
09_21	492,0	166,0	12,0	2	2/2
10_11	601,0	545,5	3,0	1	1/2
10_12	601,0	545,5	3,0	1	1/2
10_21	504,0	357,0	3,0	2	2/2
13_21	587,0	533,0	16,0	1	1/2
16_11	531,0	264,0	4,0	1	2/2
17_11	615,0	93,0	16,0	1	1/2
17_12	615,0	93,0	16,0	1	1/2
17_31	1626,0	92,0	28,0	1	2/2
19_11	587,0	541,0	20,5	1	1/2





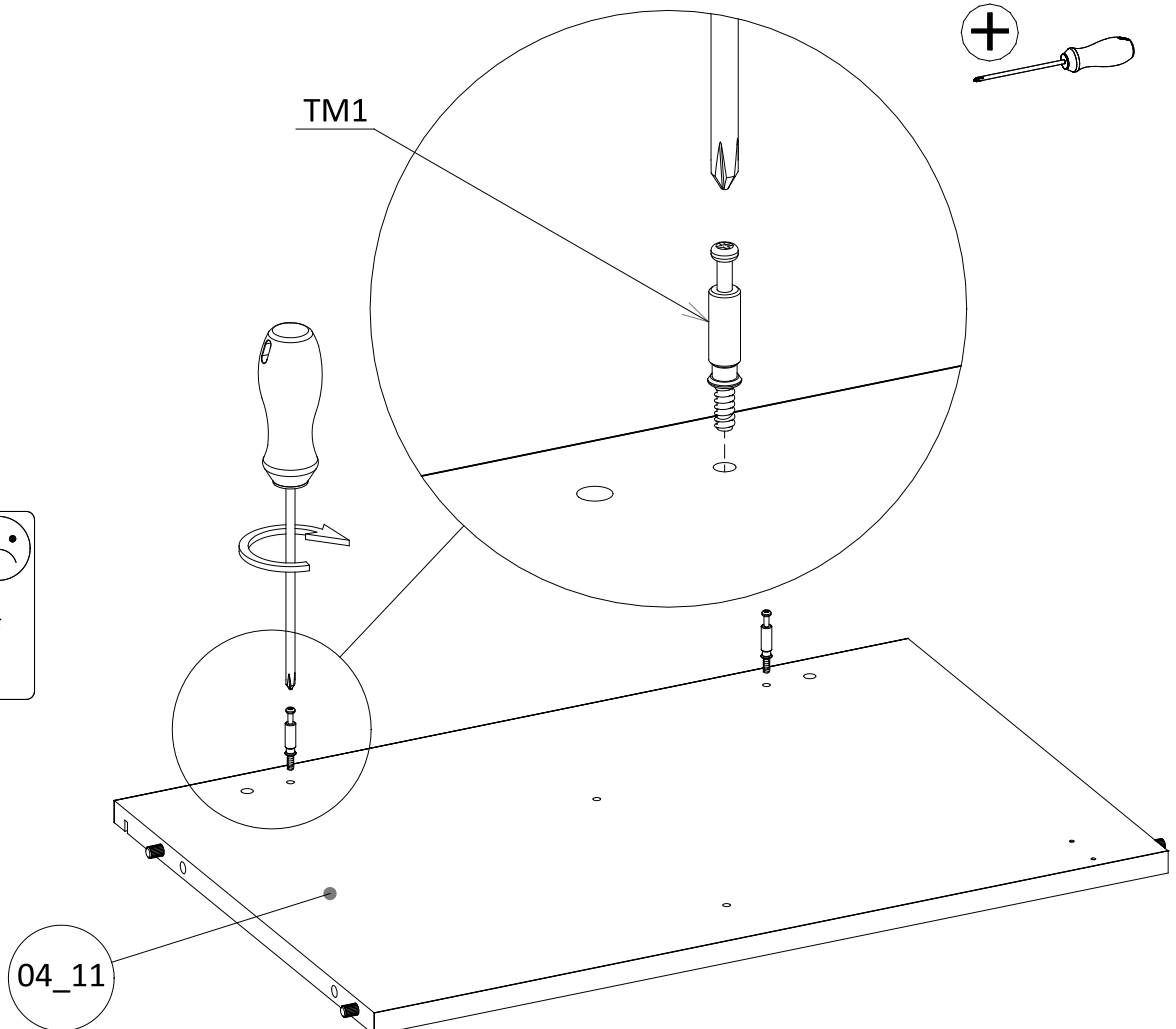
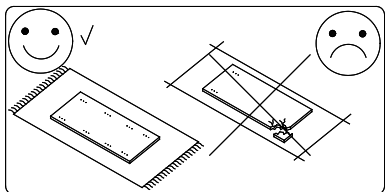
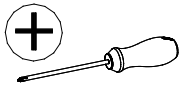
1

- K2 8x30 3x
- M12 Ø15x12 4x

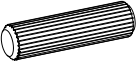



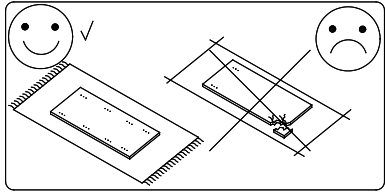
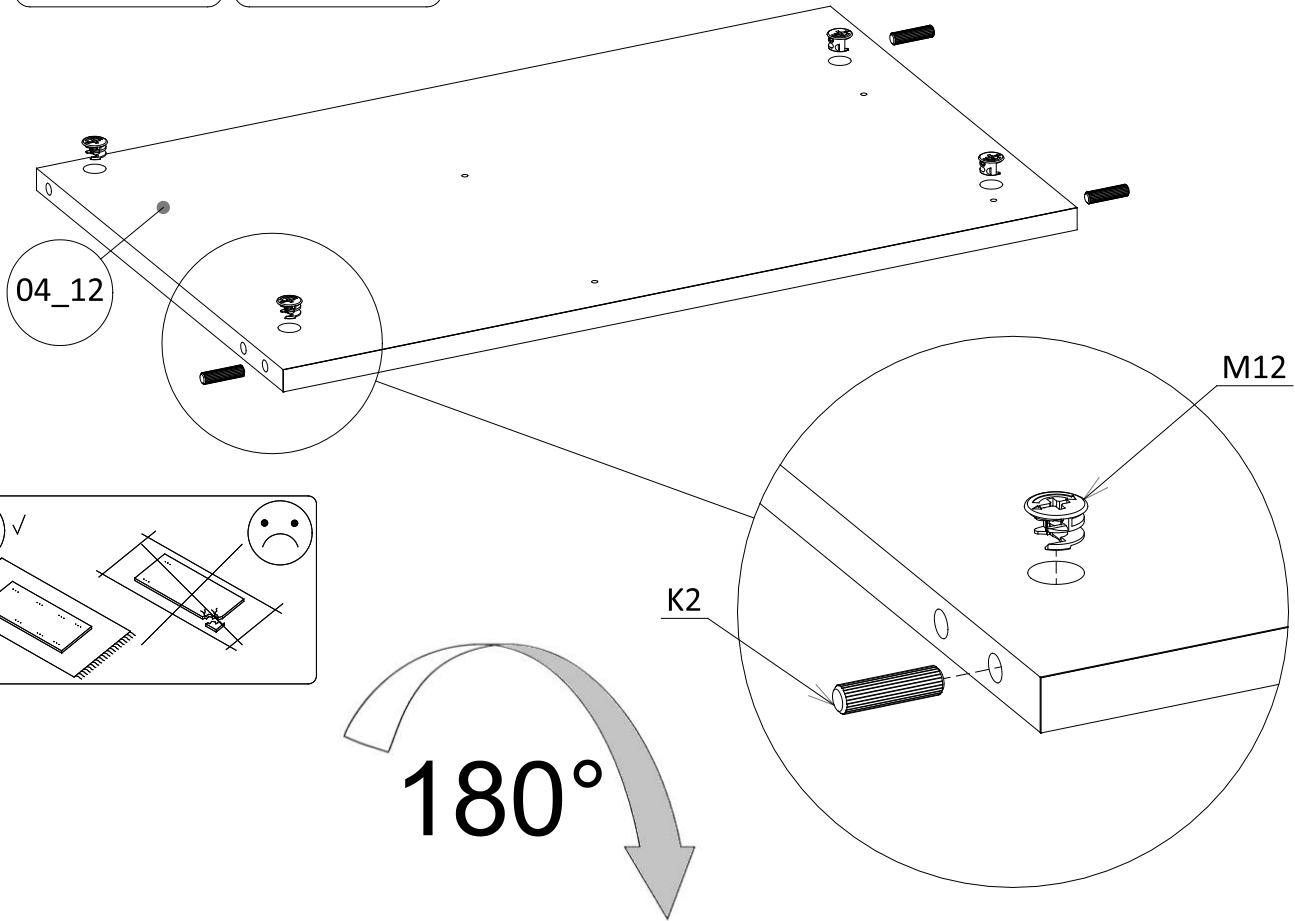
2

- TM1 2x

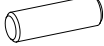



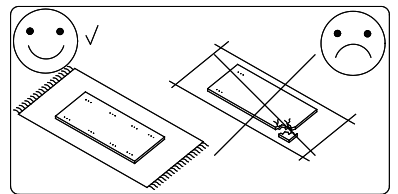
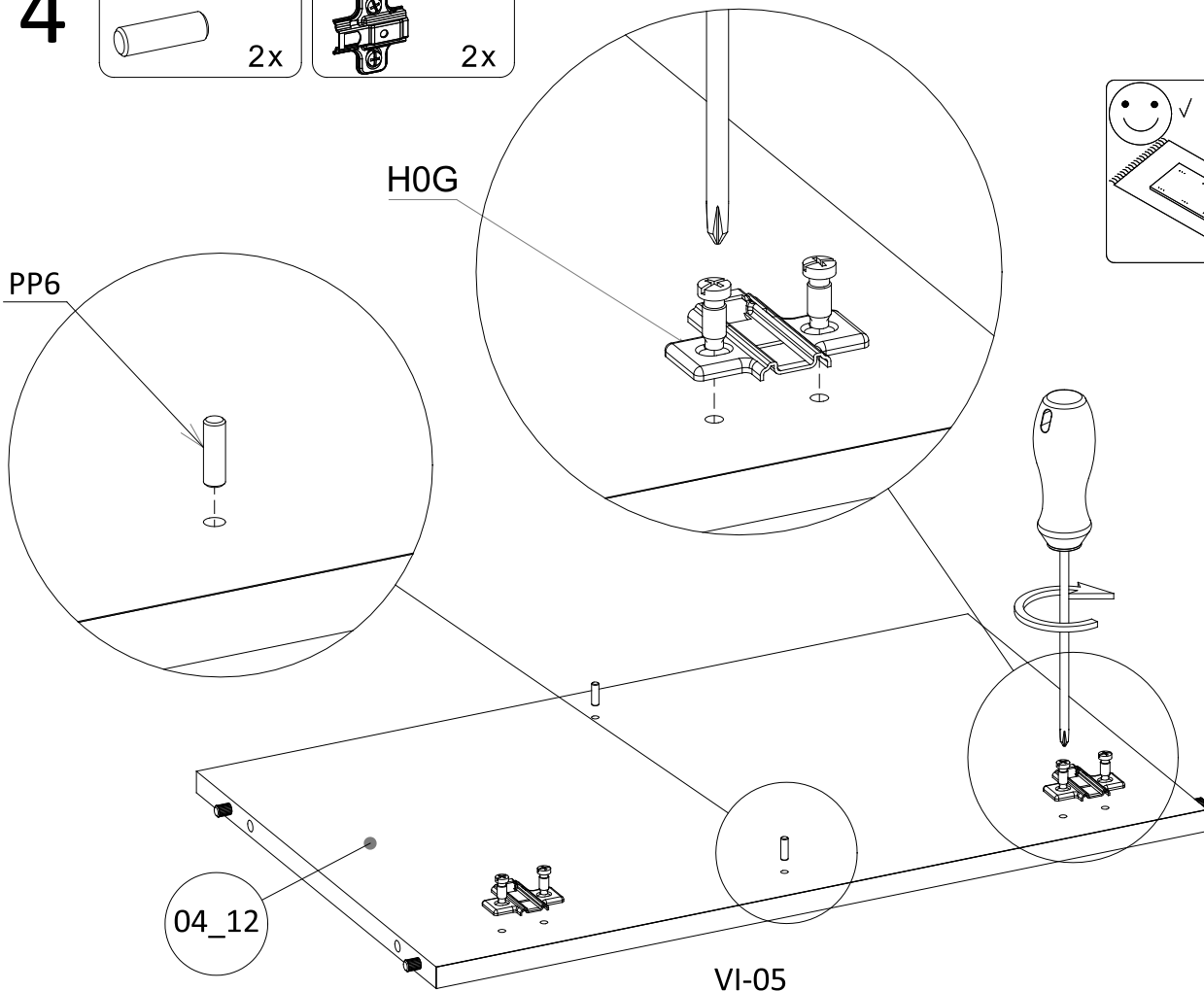
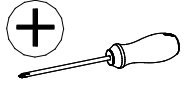
3

K2	8x30	M12 Ø15x12
	3x	
		4x

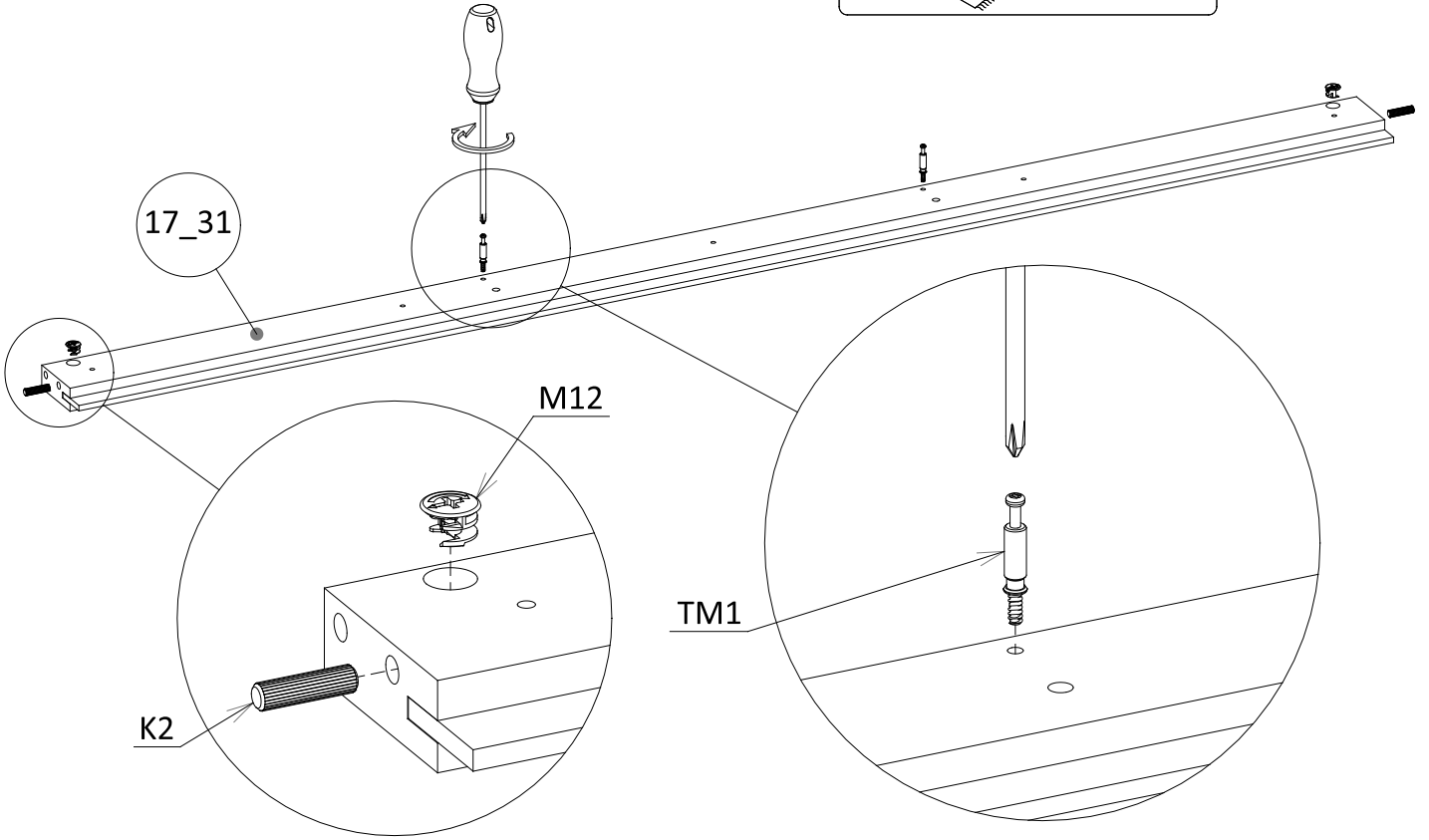
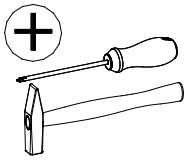
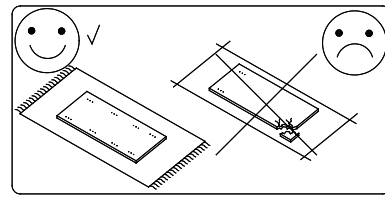
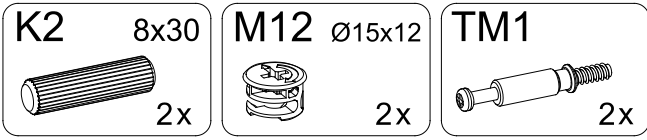


4

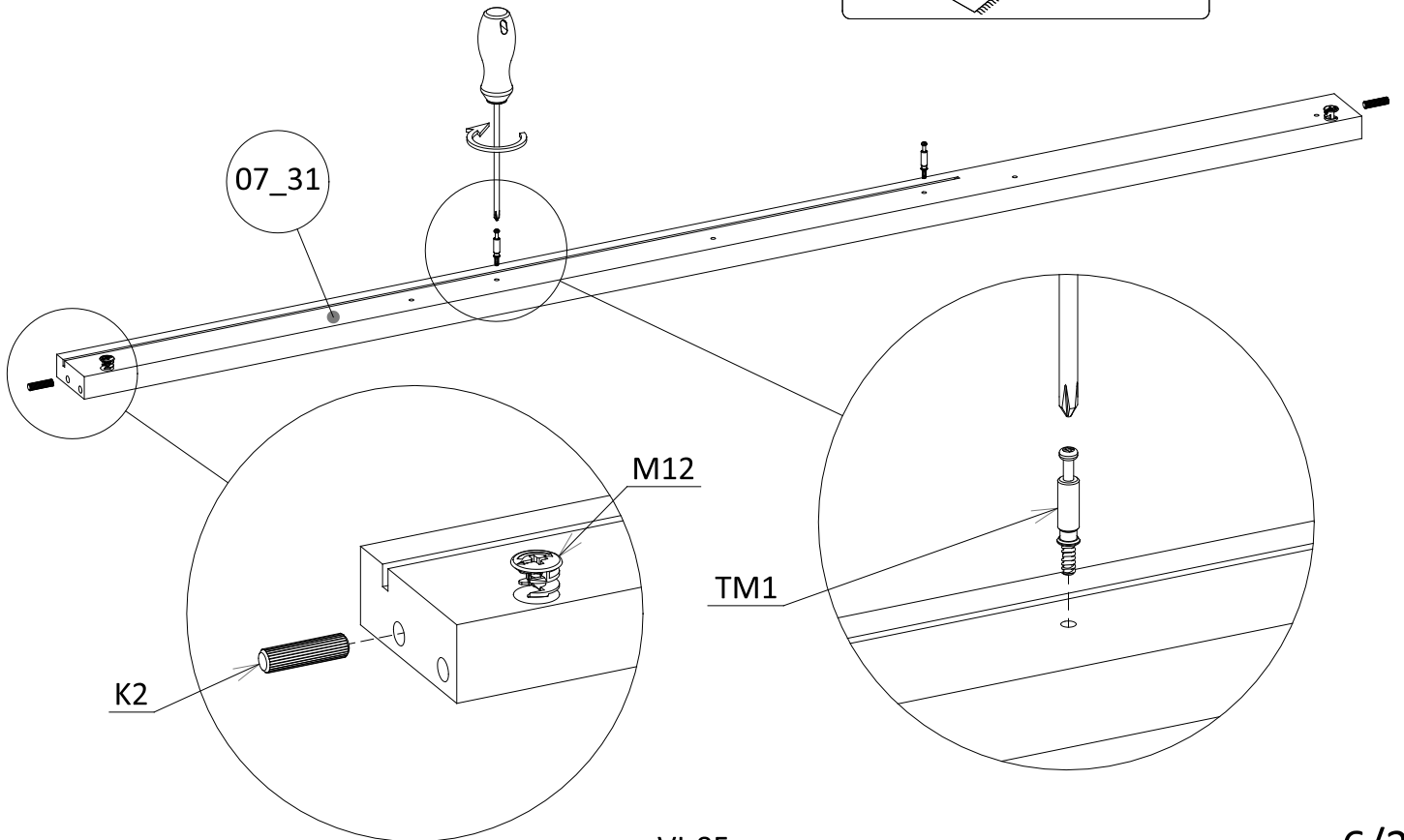
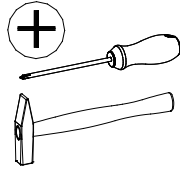
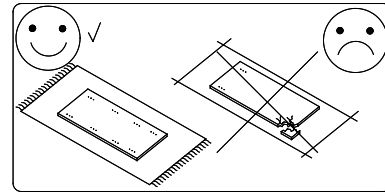
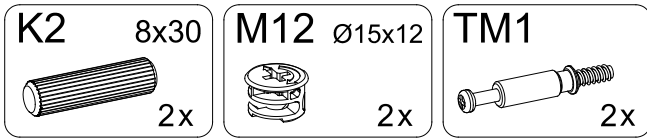
PP6	Ø5	H0G
	2x	
		2x



5

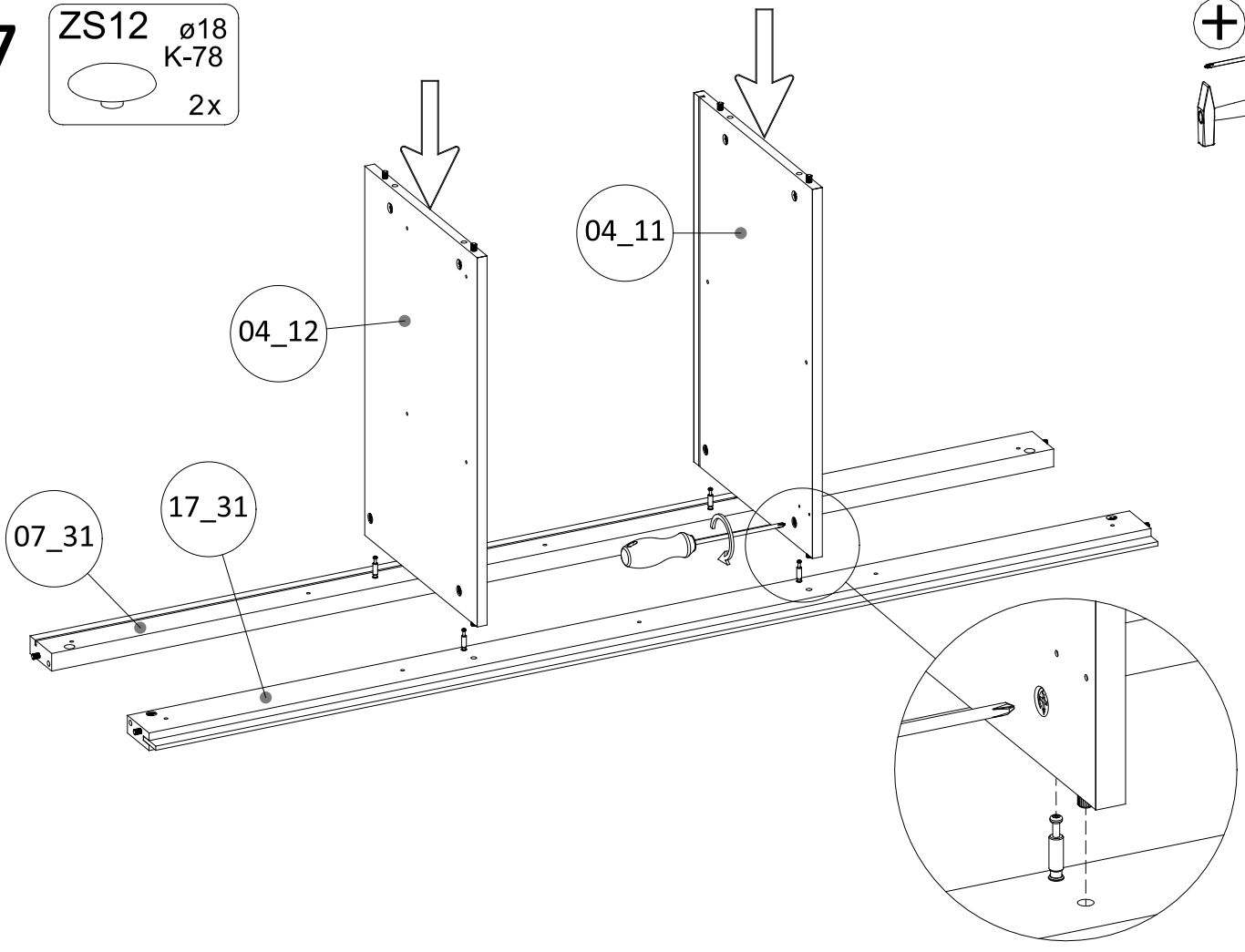
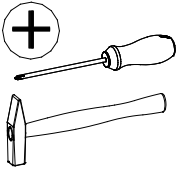


6



7

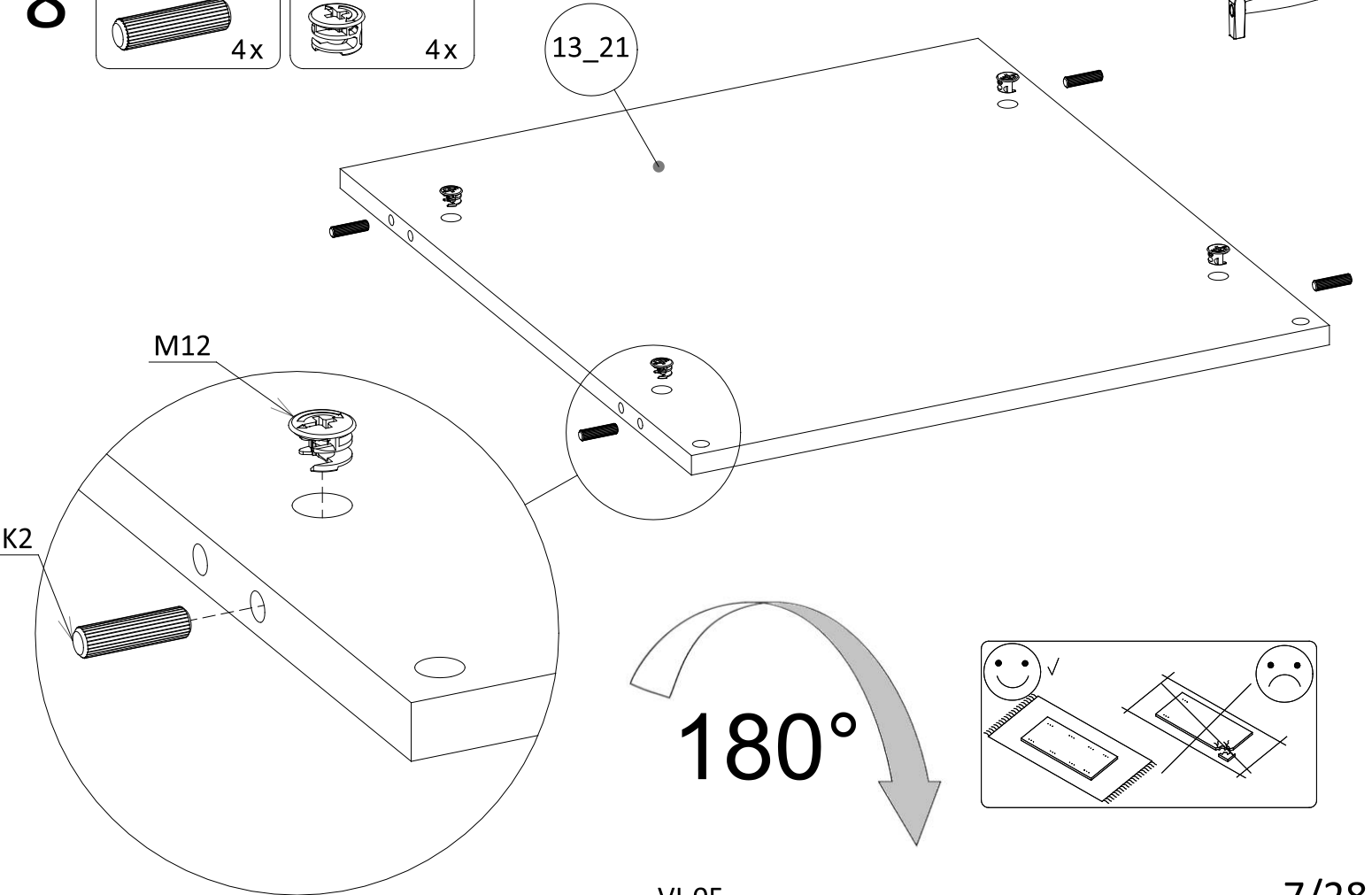
ZS12 \varnothing 18
K-78
2x



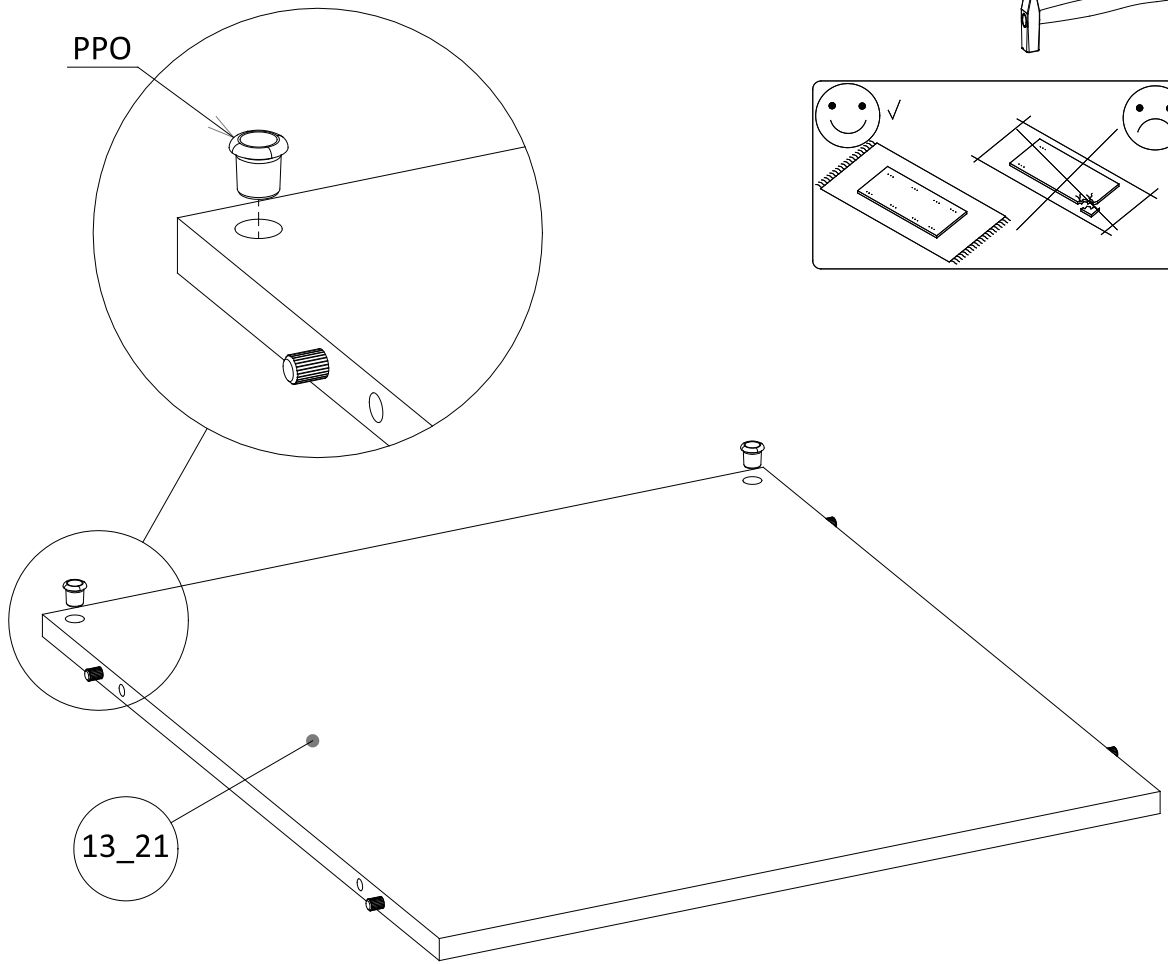
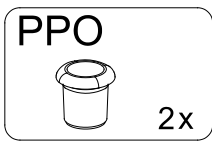
8

K2 8x30
4x

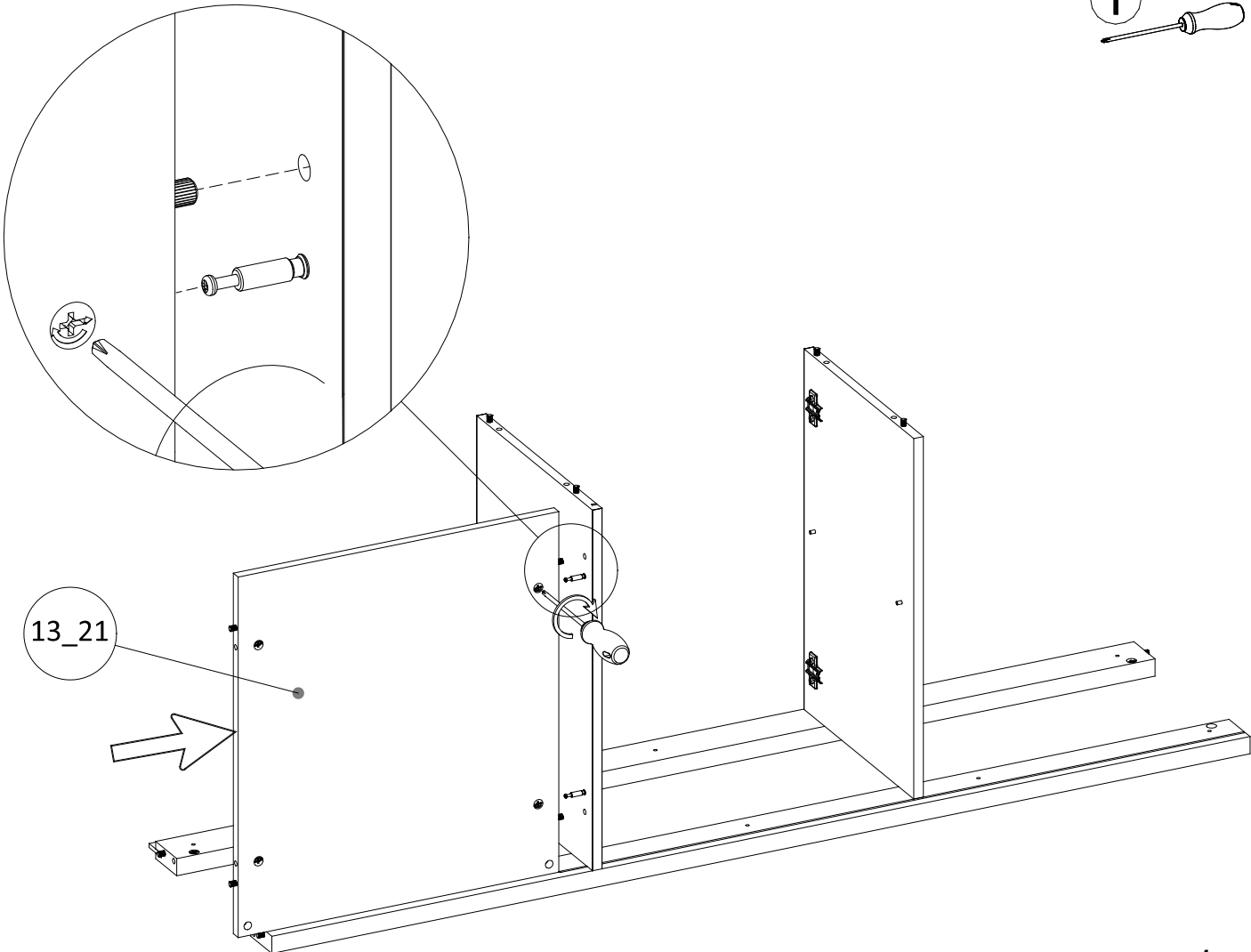
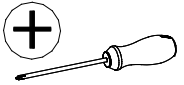
M12 \varnothing 15x12
4x



9



10



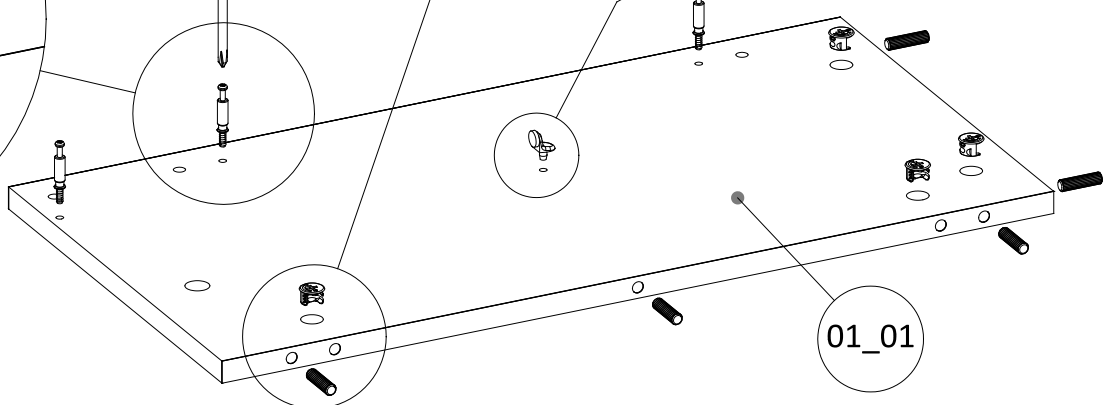
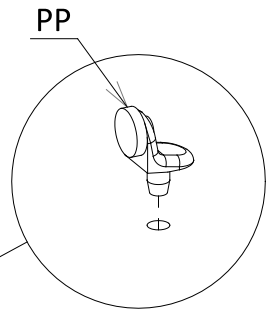
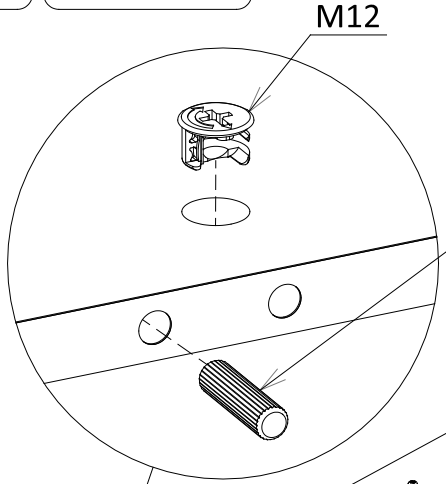
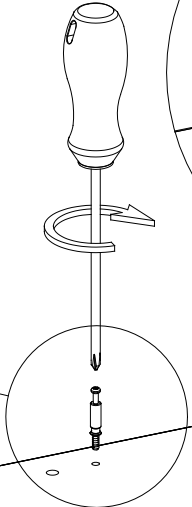
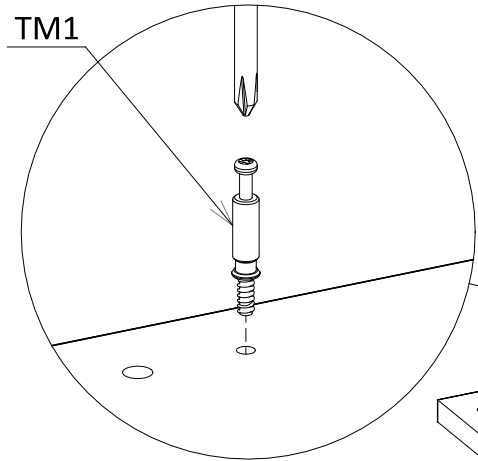
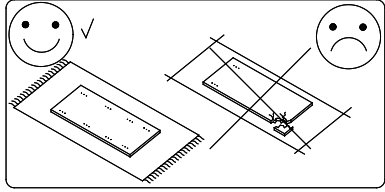
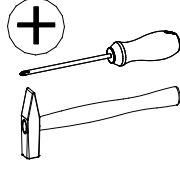
11

K2 8x30
5x

M12 Ø15x12
4x

TM1
3x

PP Ø5
1x

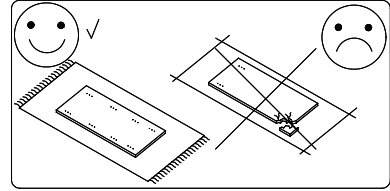
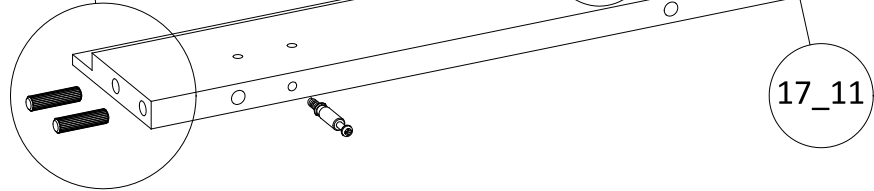
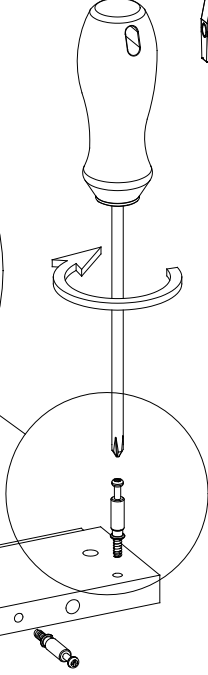
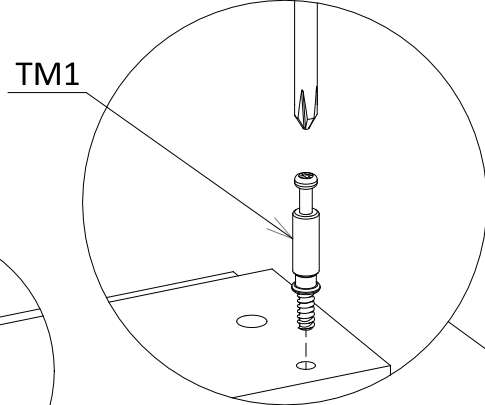
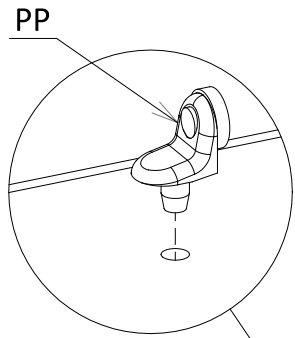
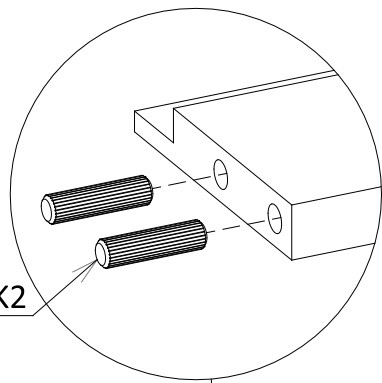
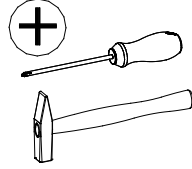


12

K2 8x30
2x

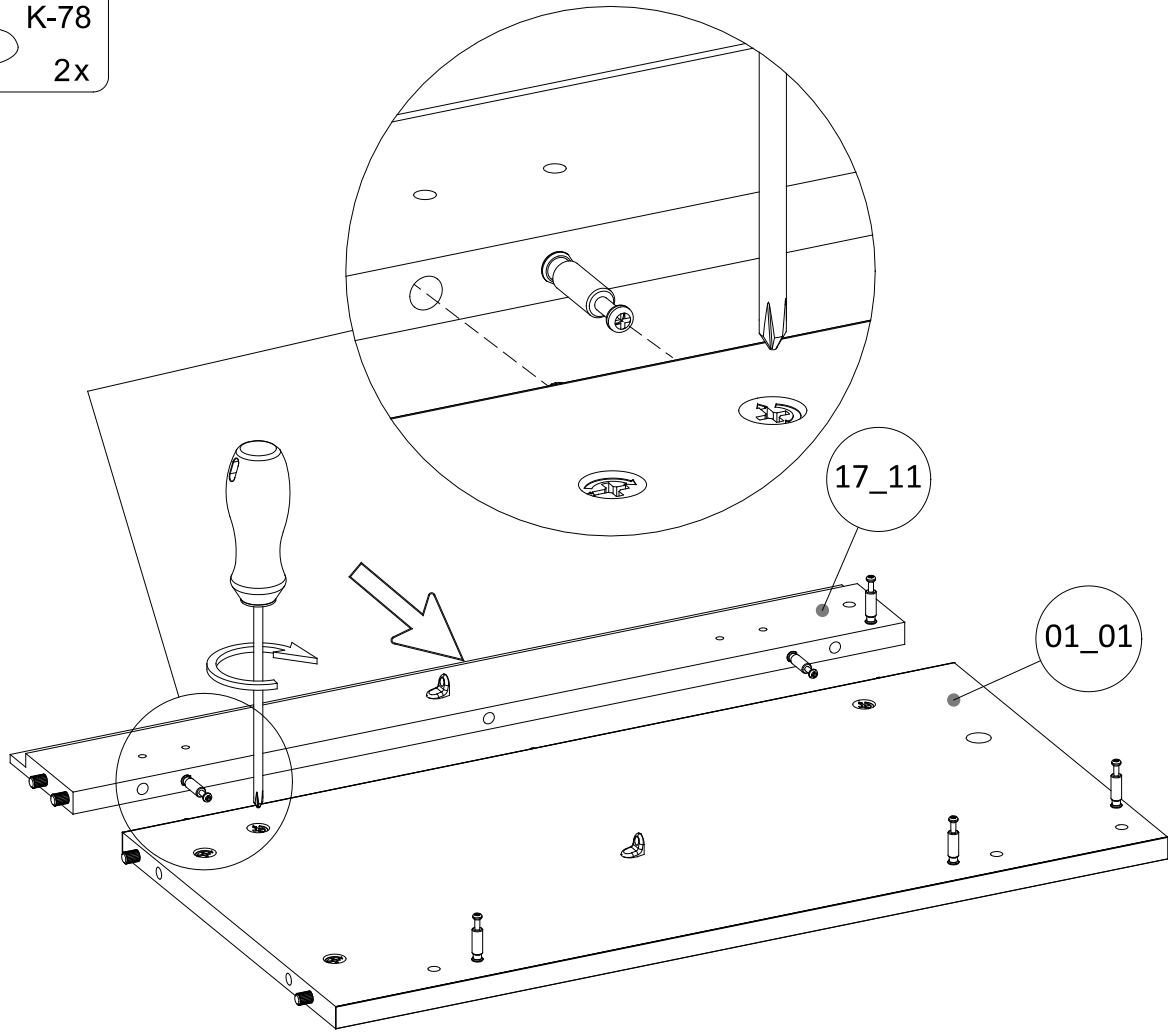
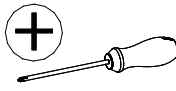
TM1
3x

PP Ø5
1x



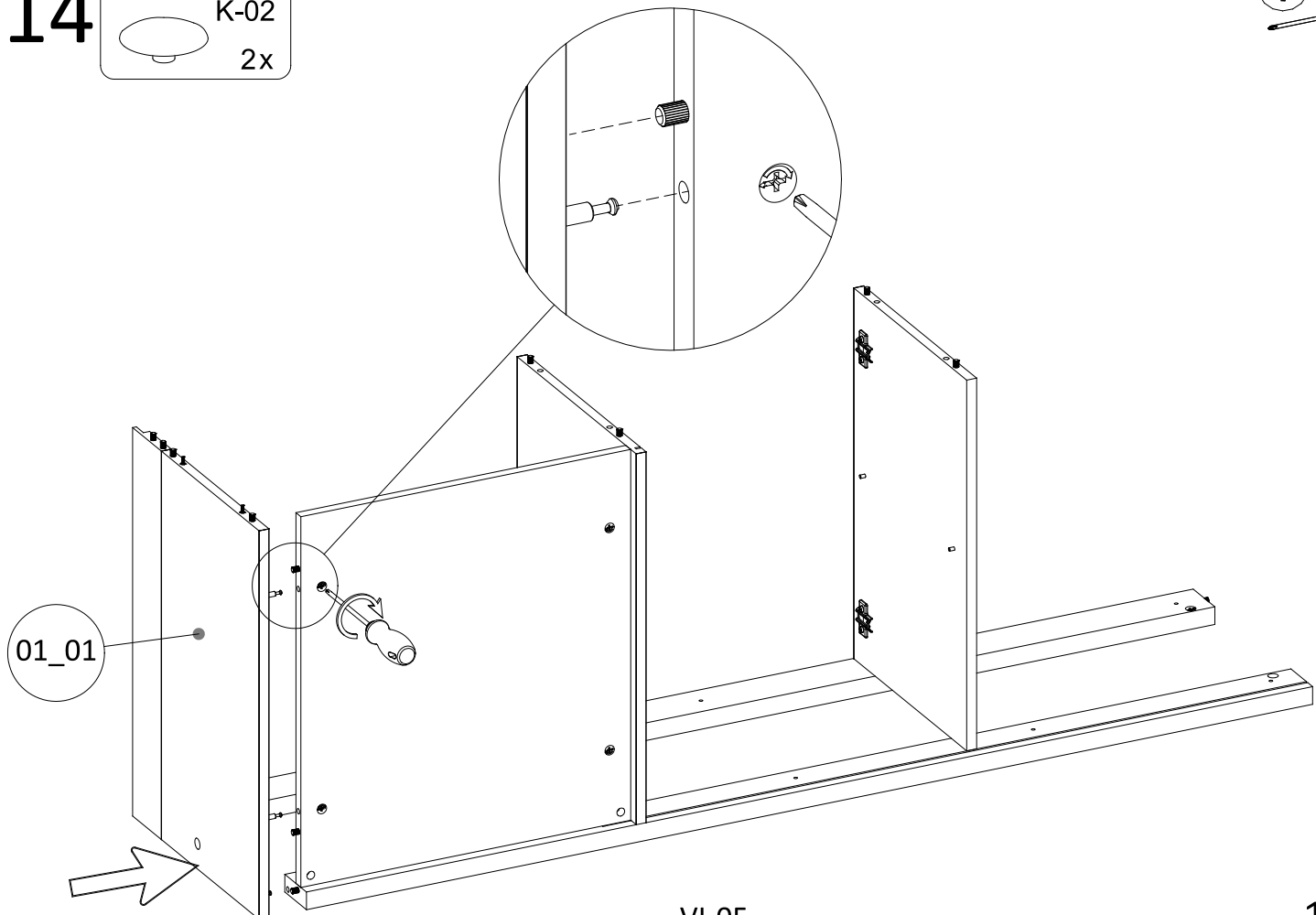
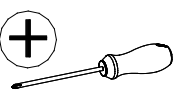
13

ZS12 ø18
K-78
2x

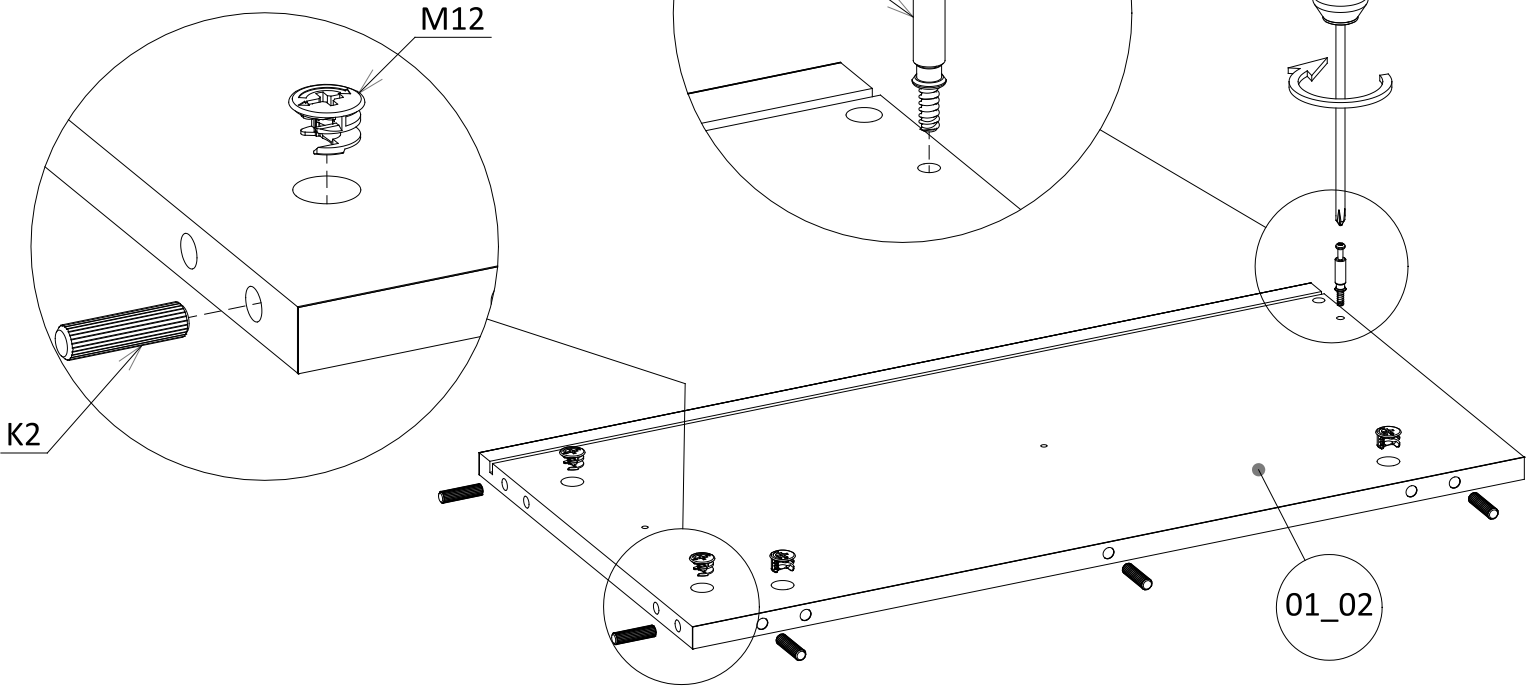
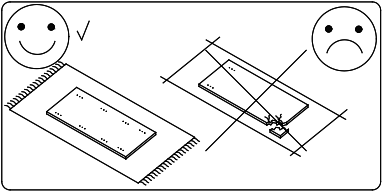
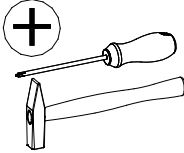
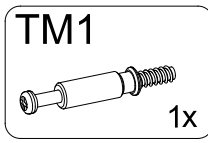
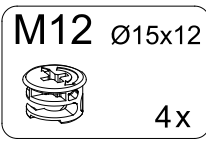
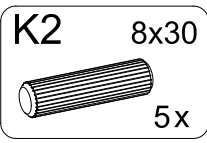


14

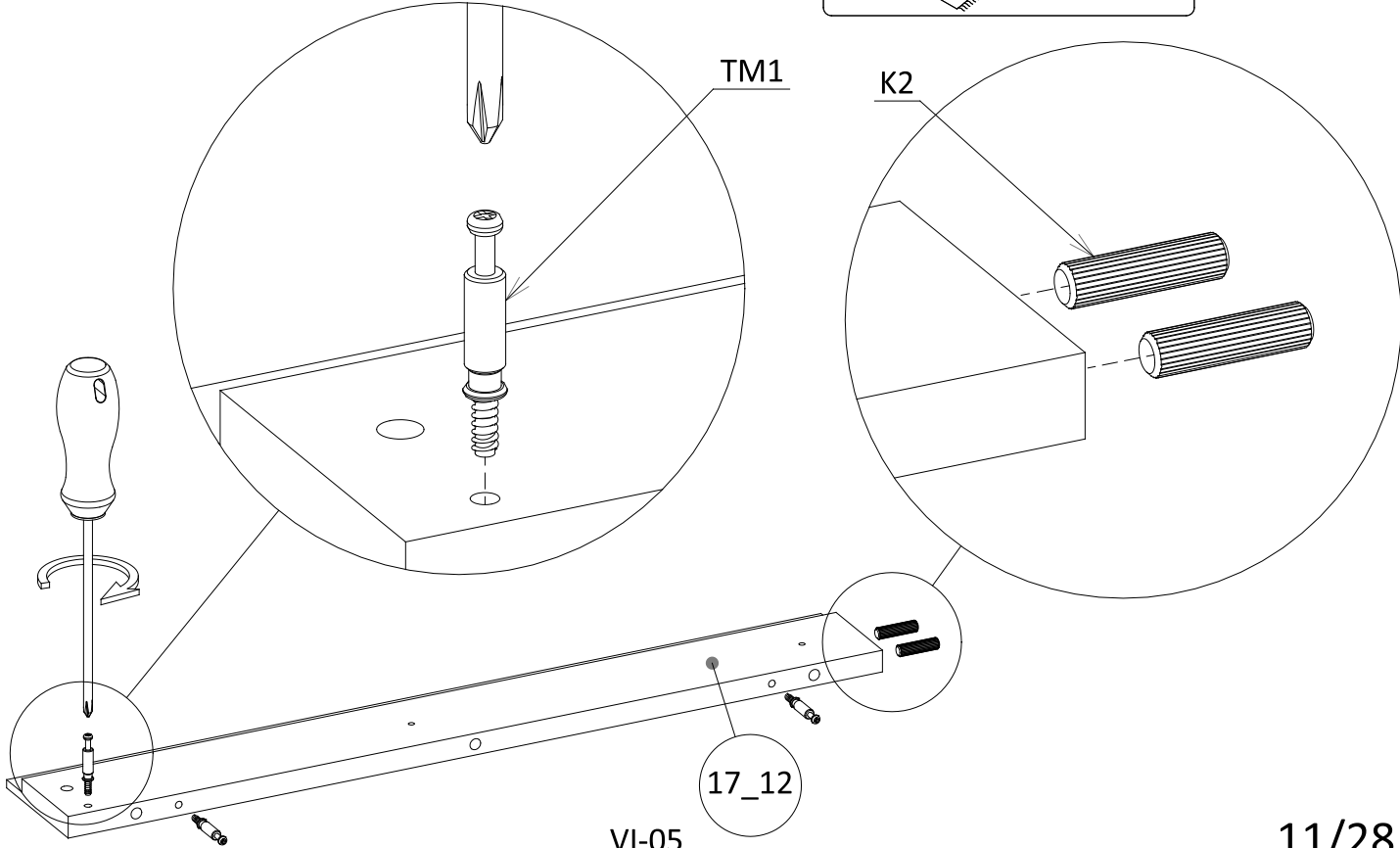
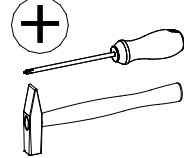
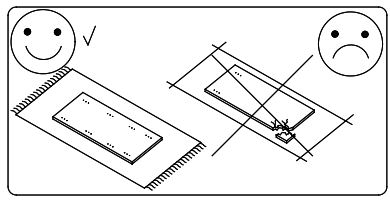
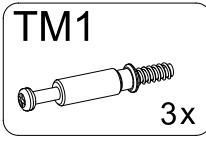
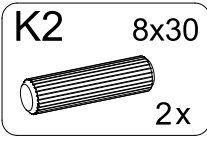
ZS12 ø18
K-02
2x



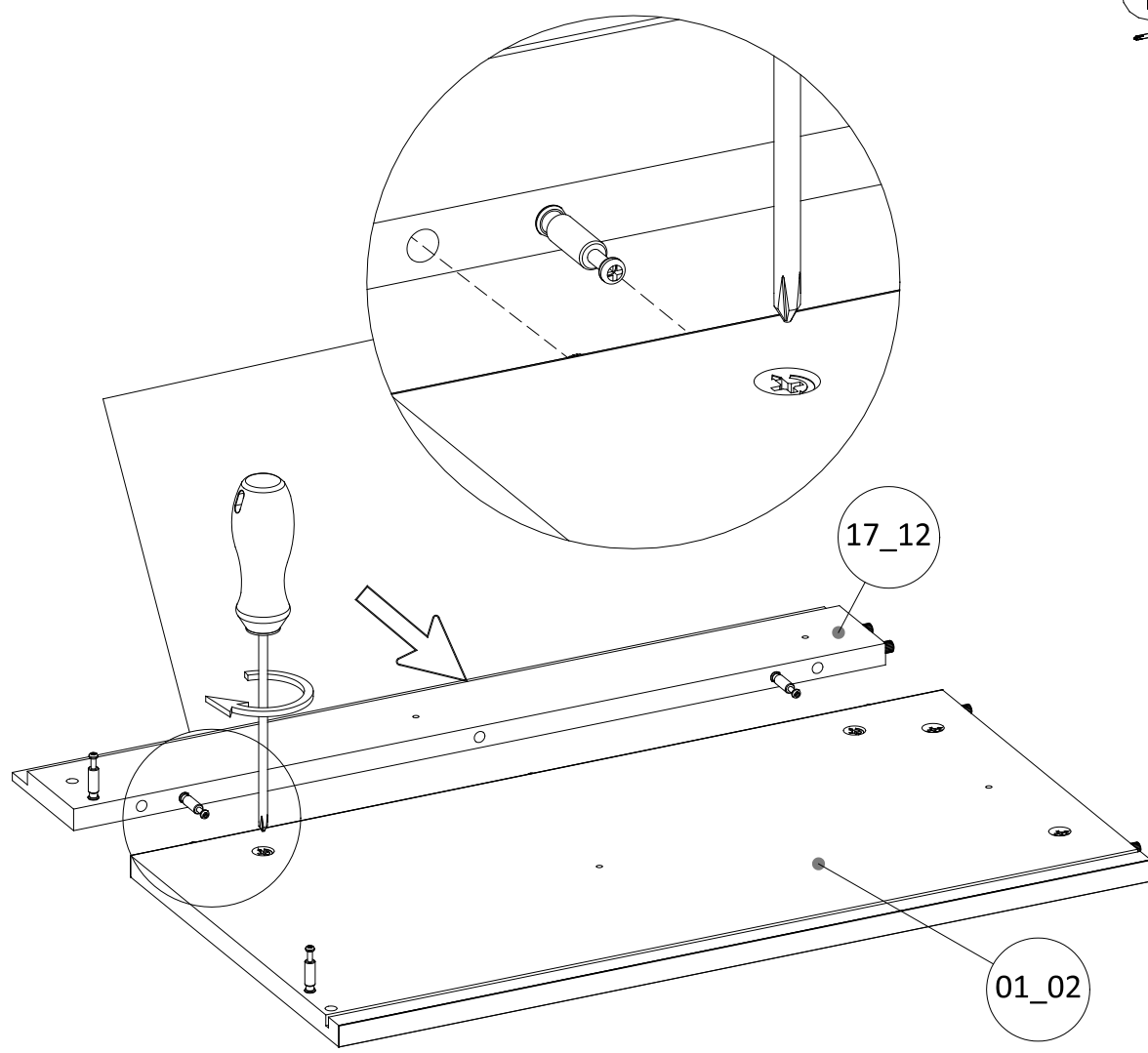
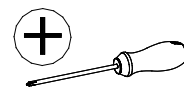
15



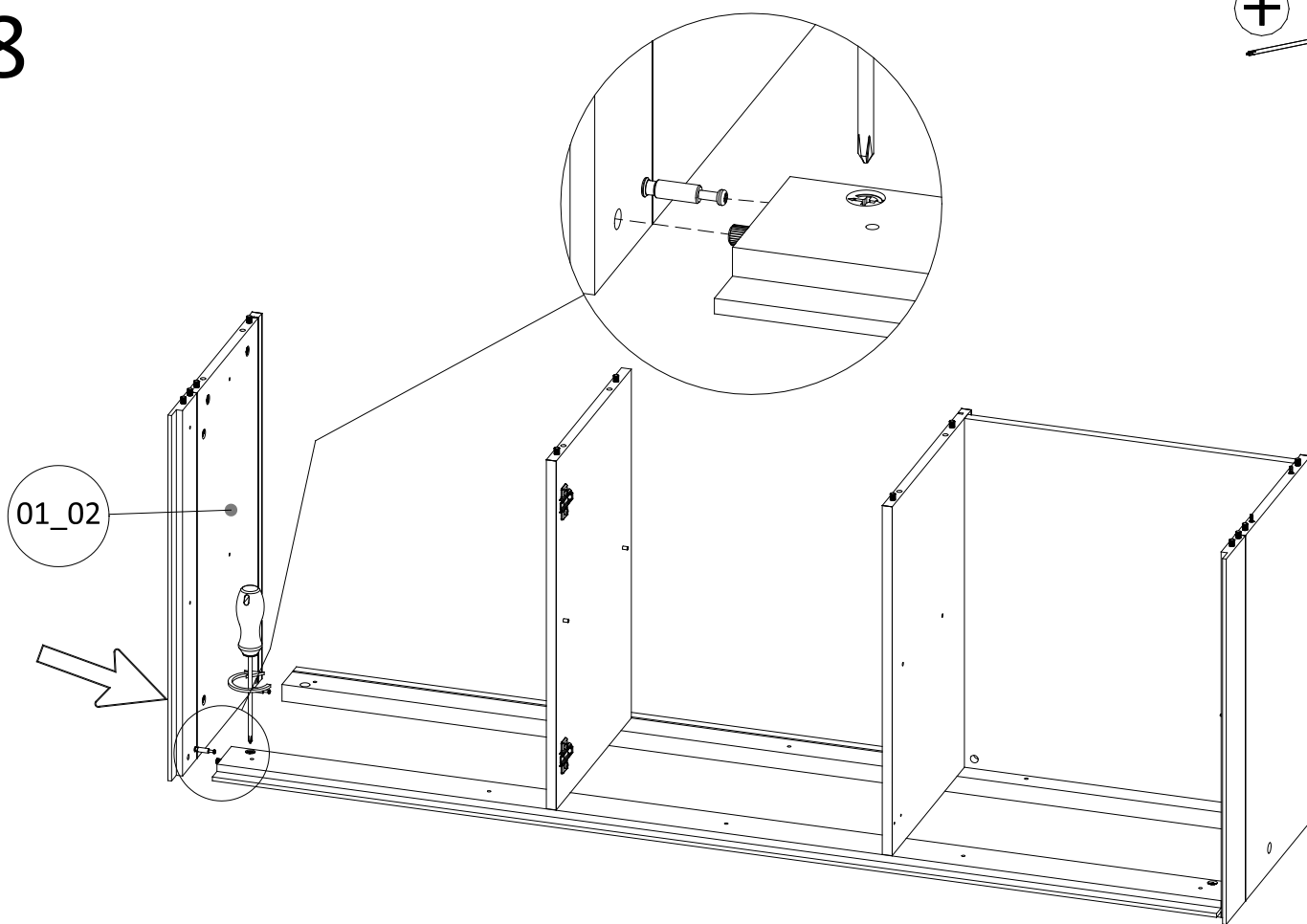
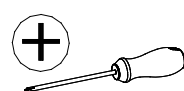
16



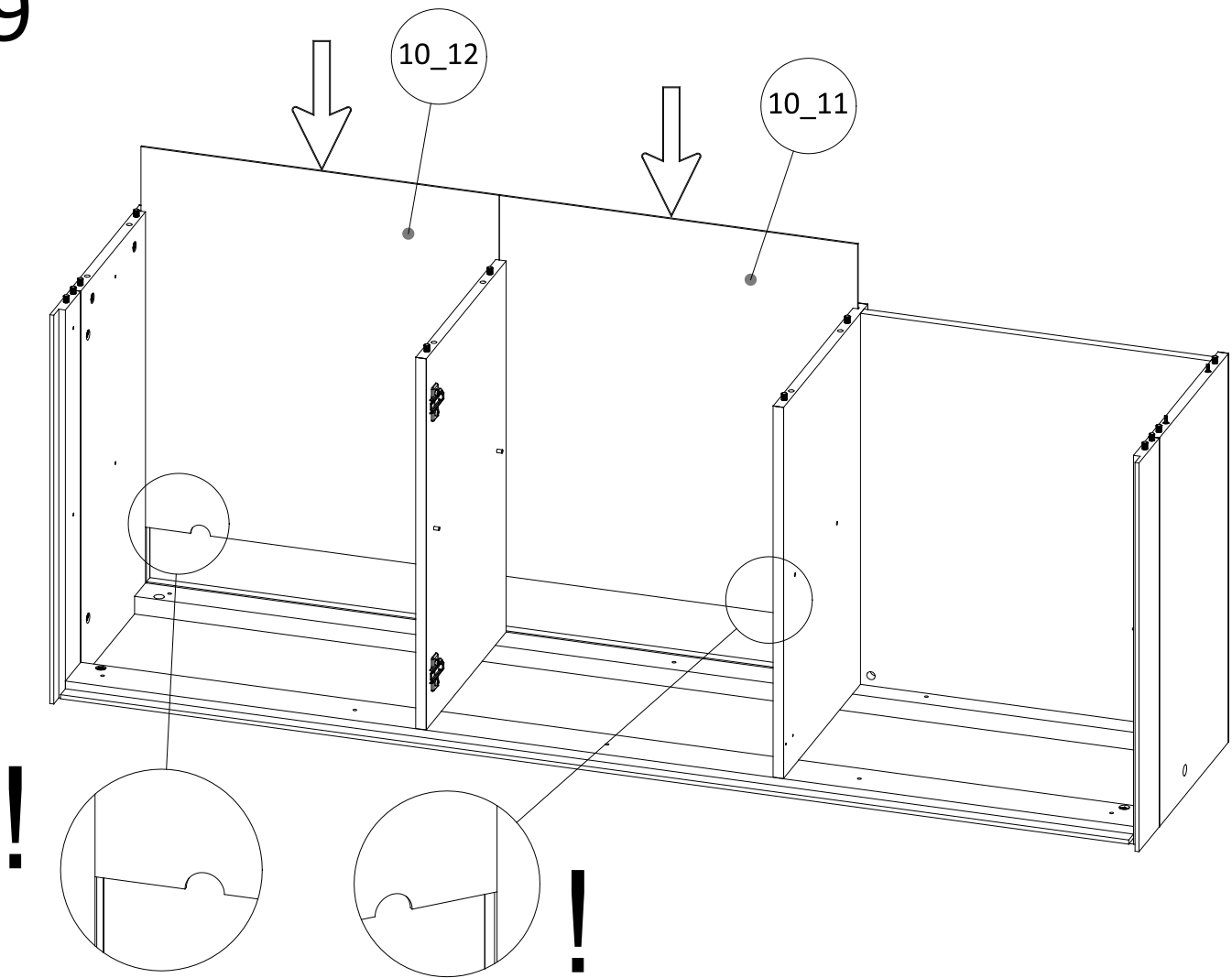
17



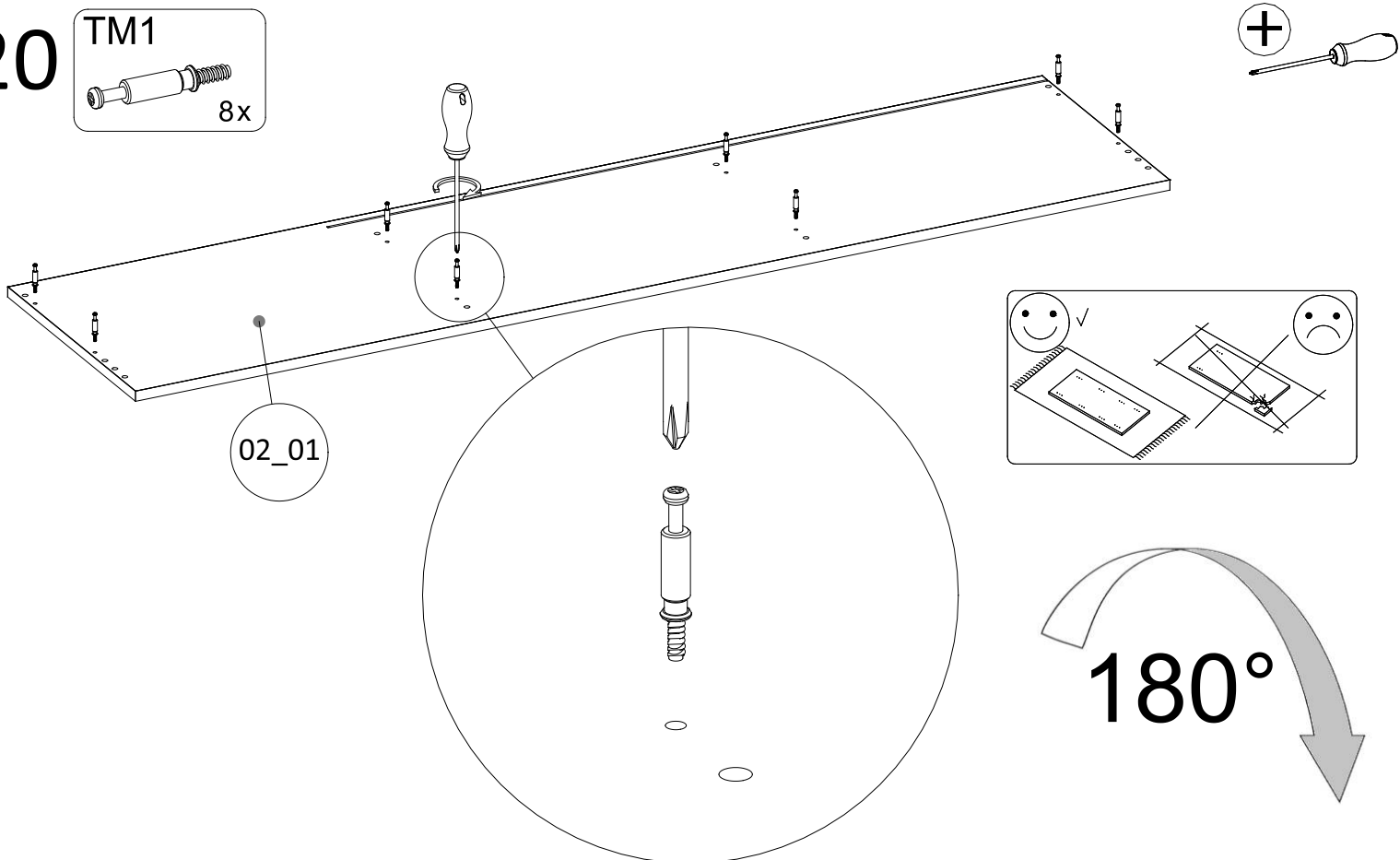
18



19

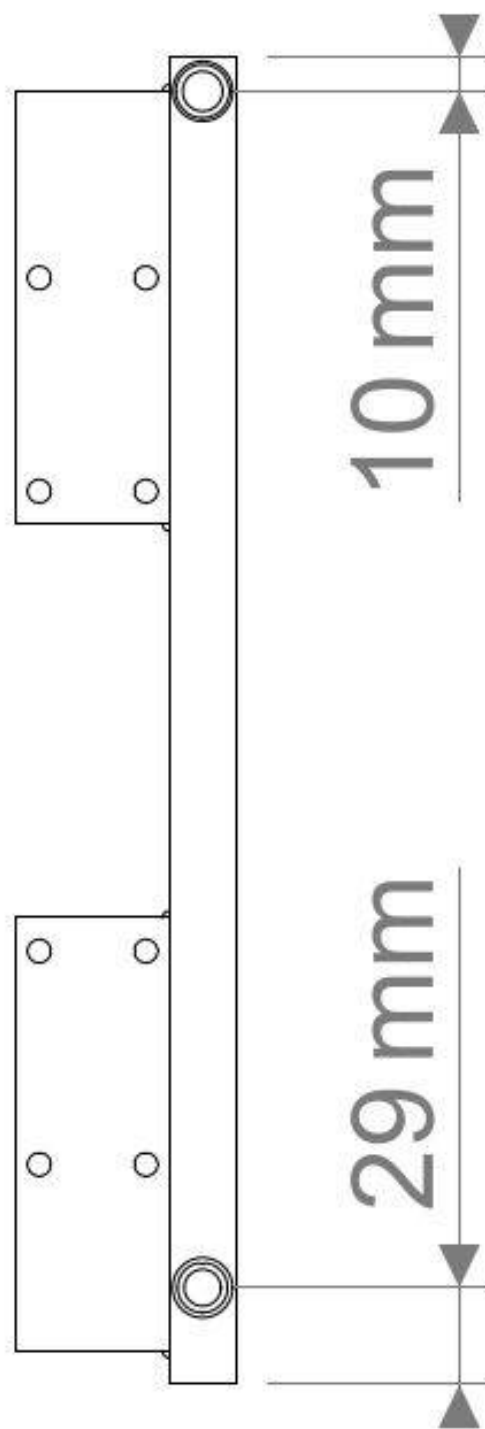
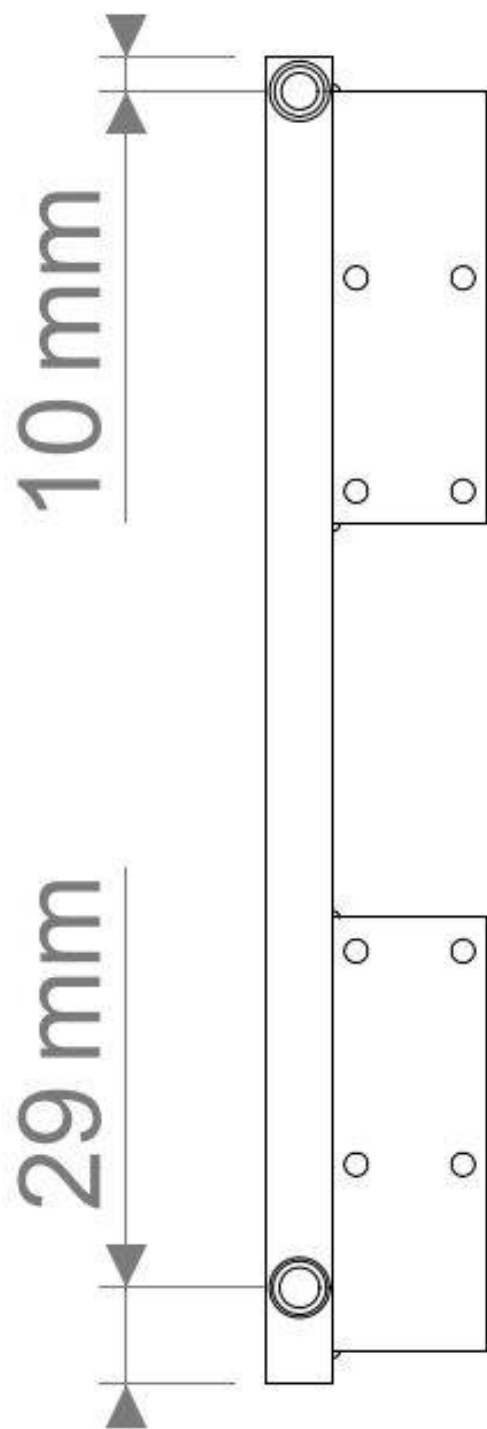


20



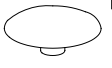
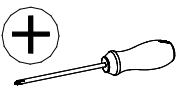
NBVIL

NBVIP

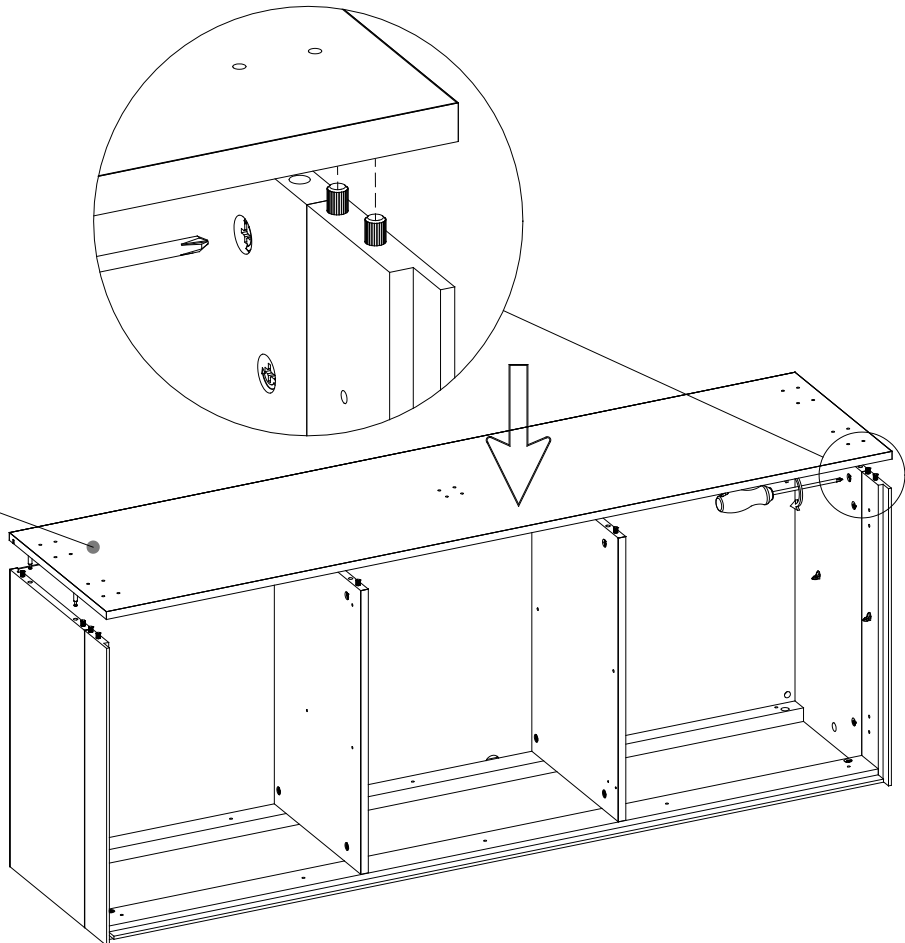


21

ZS12 $\varnothing 18$
K-78
4x

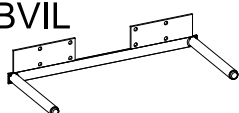



02_01

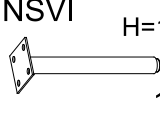


22


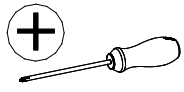
NBVIL H=200 L=408
1x



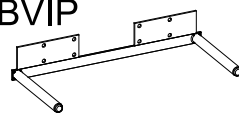
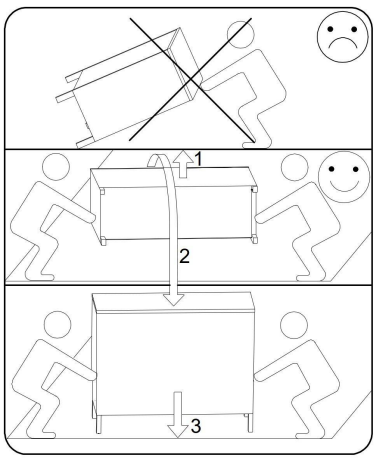
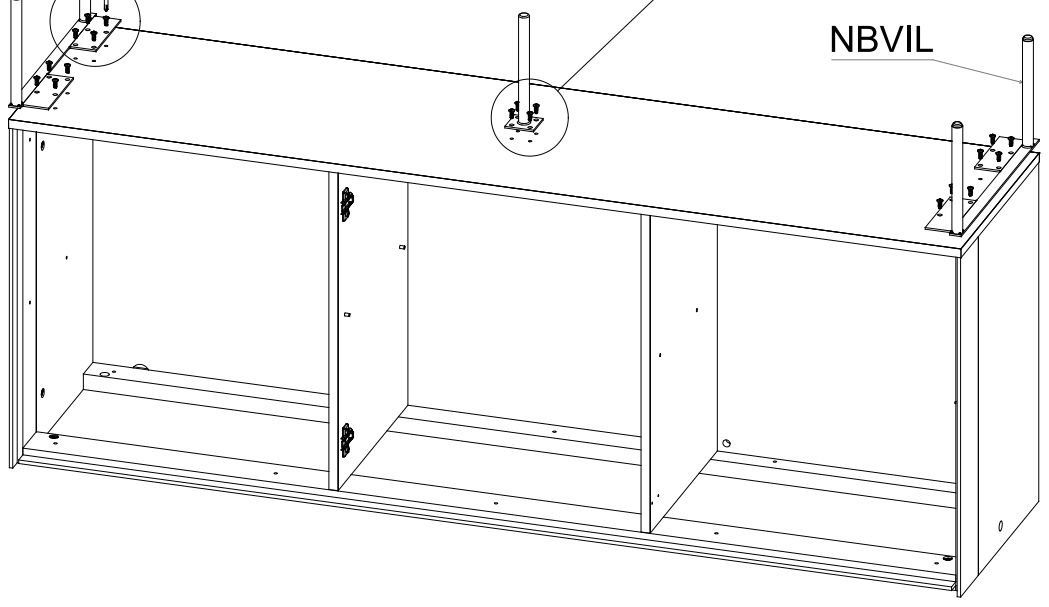
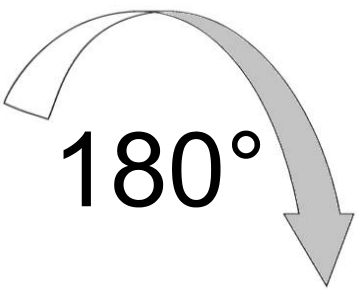
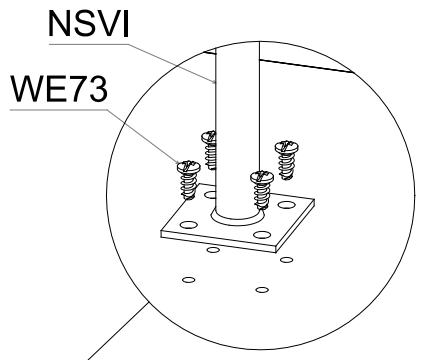
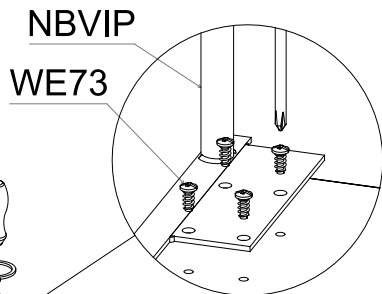
NSVI H=198
1x

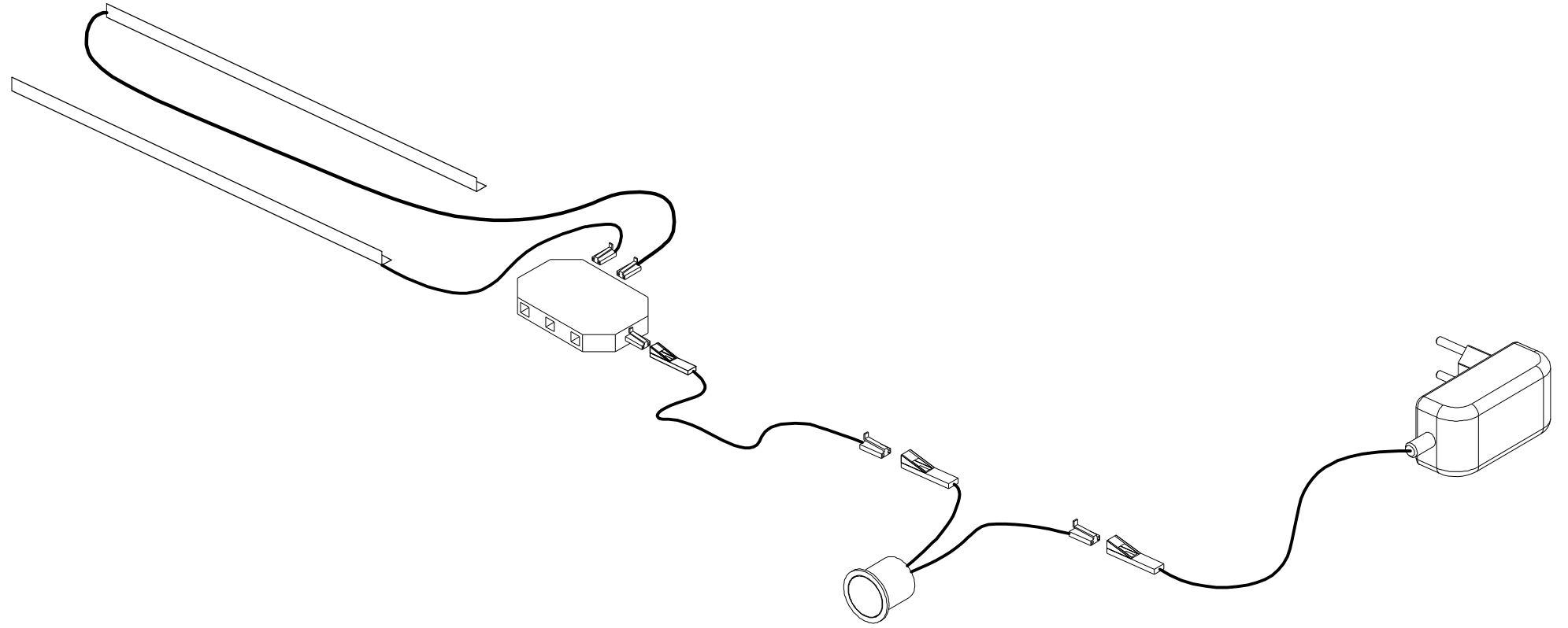


WE73 6,3x13
20x

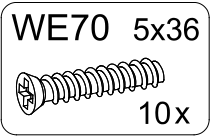



NBVIP H=200 L=408
1x

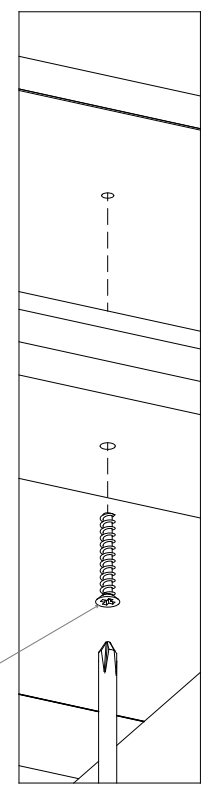
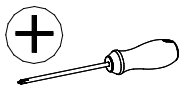
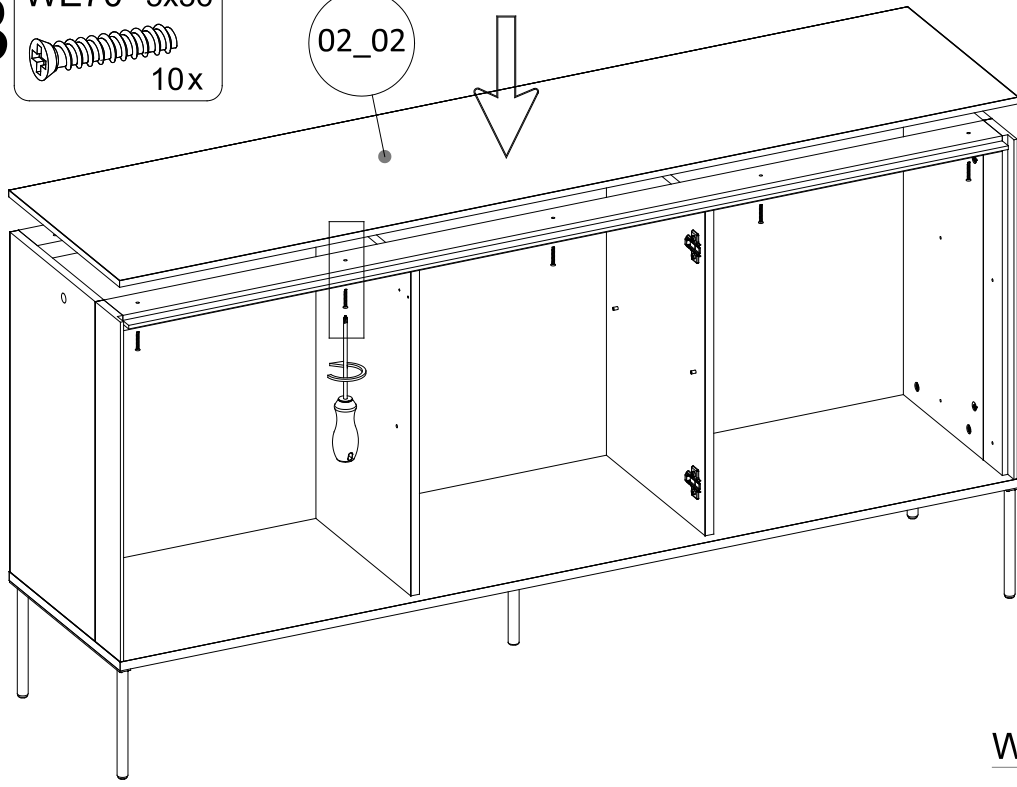





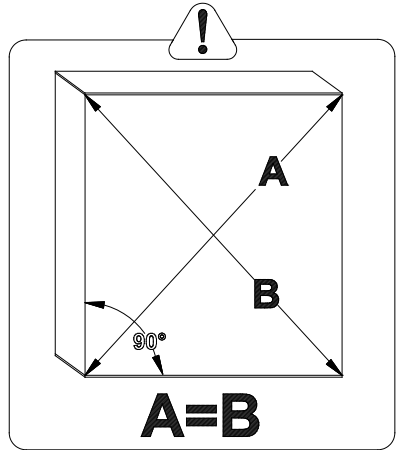
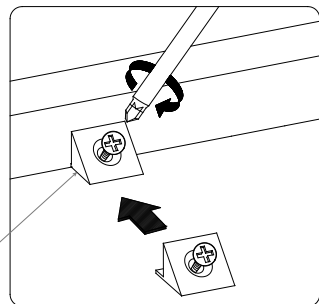
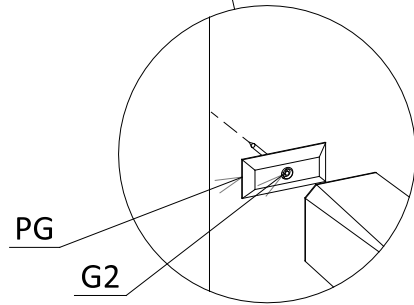
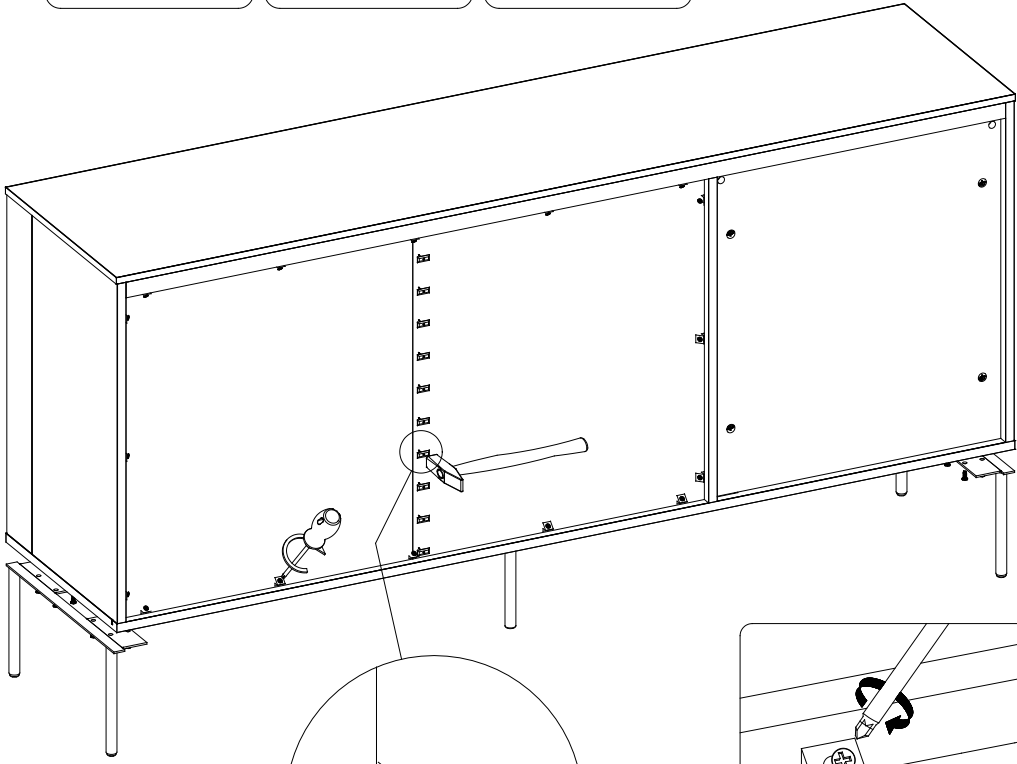
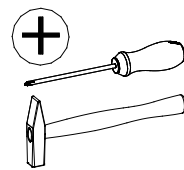
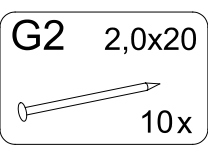
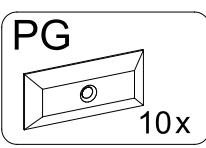
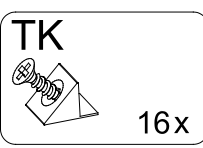
23




02_02


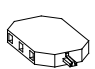
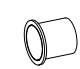


24

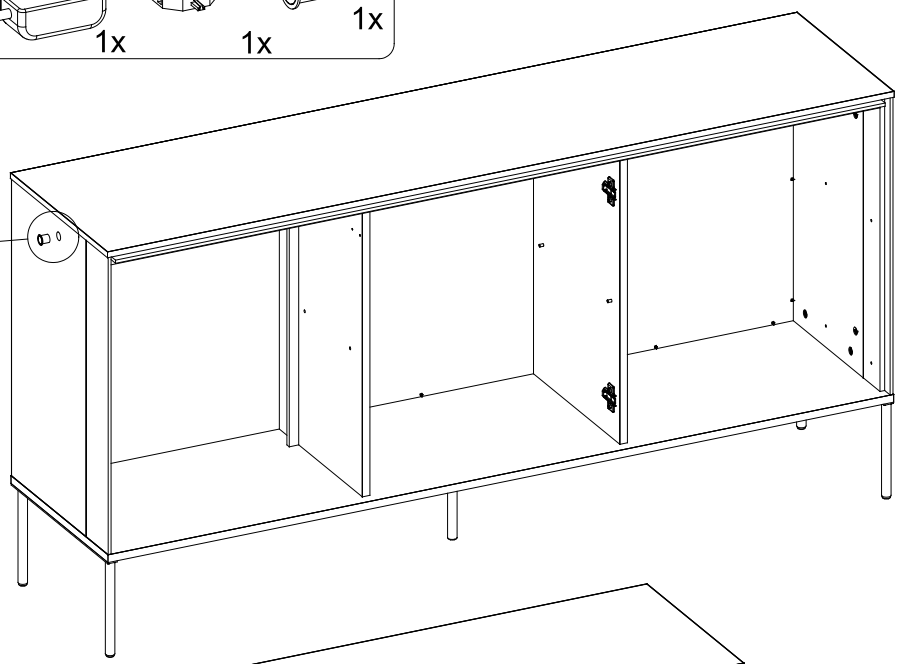
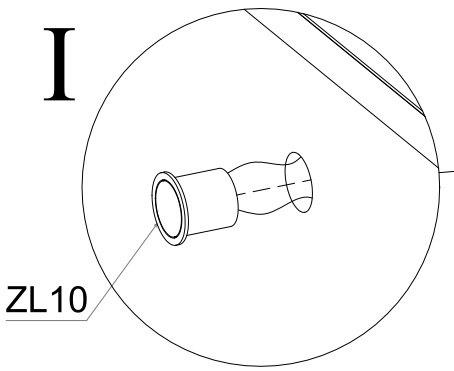


25

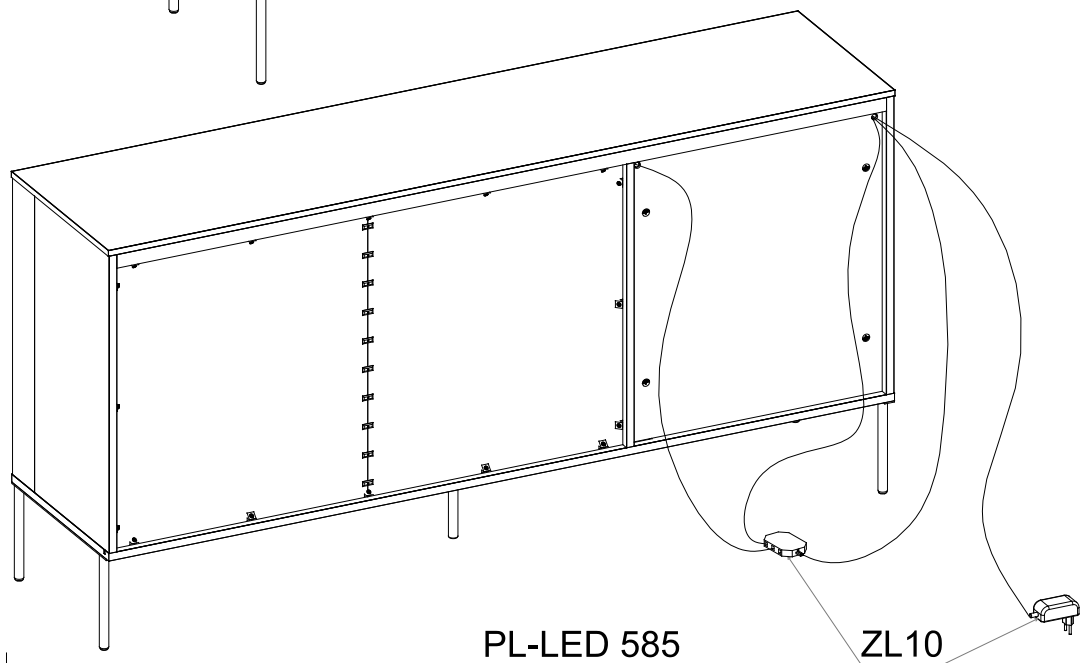
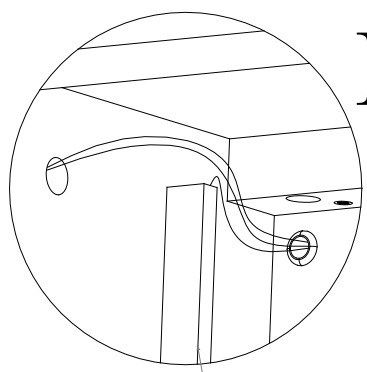
PL-LED585

 L=585 2x

ZL10
  
 1x 1x 1x

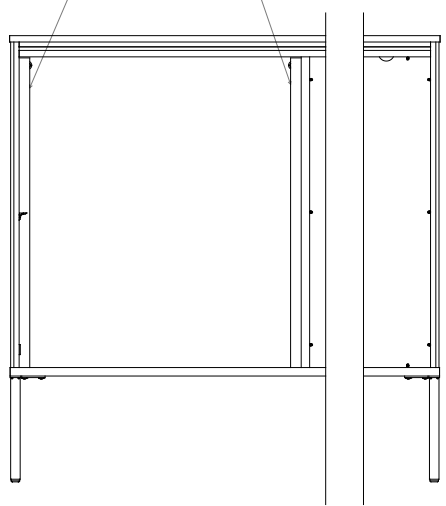
I



II

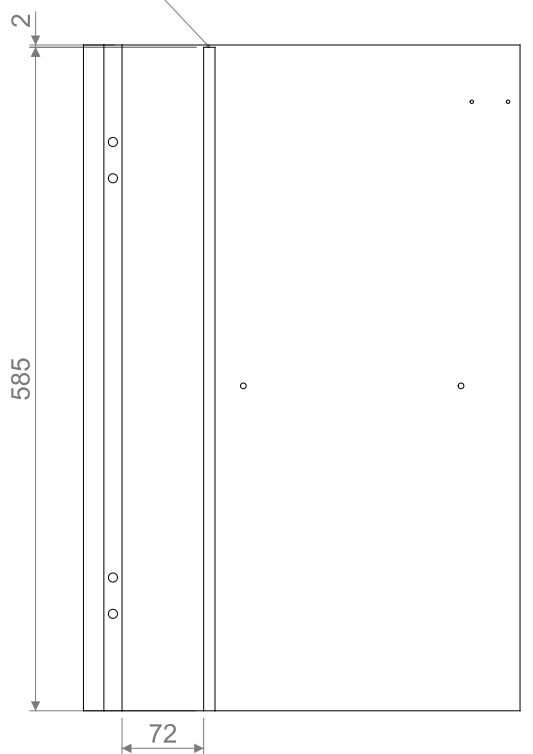
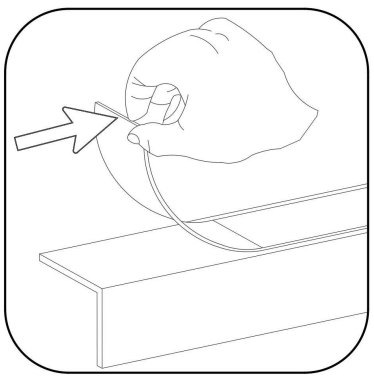


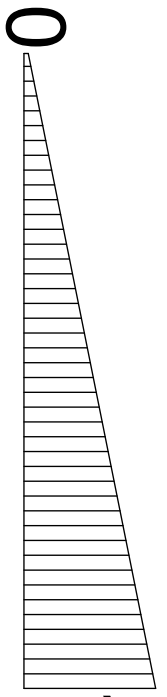
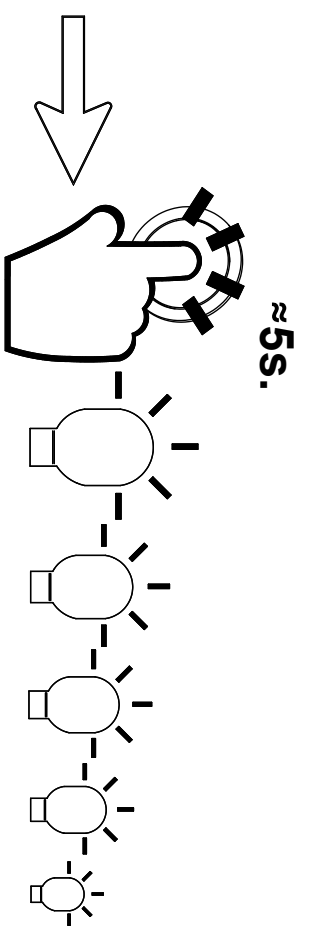
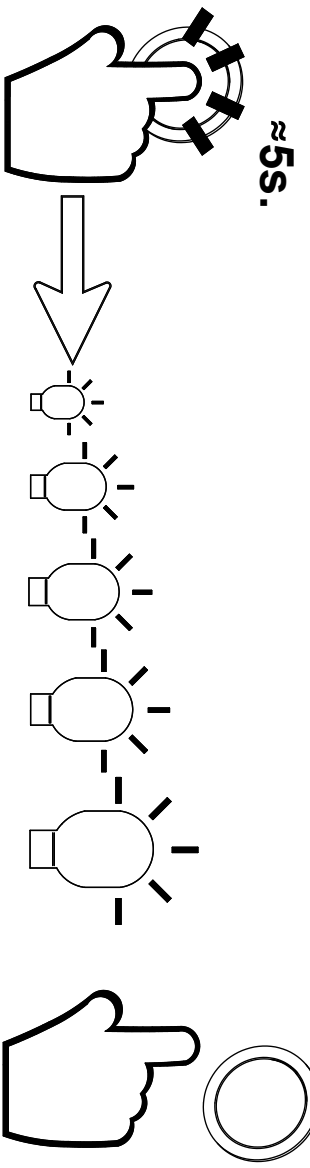
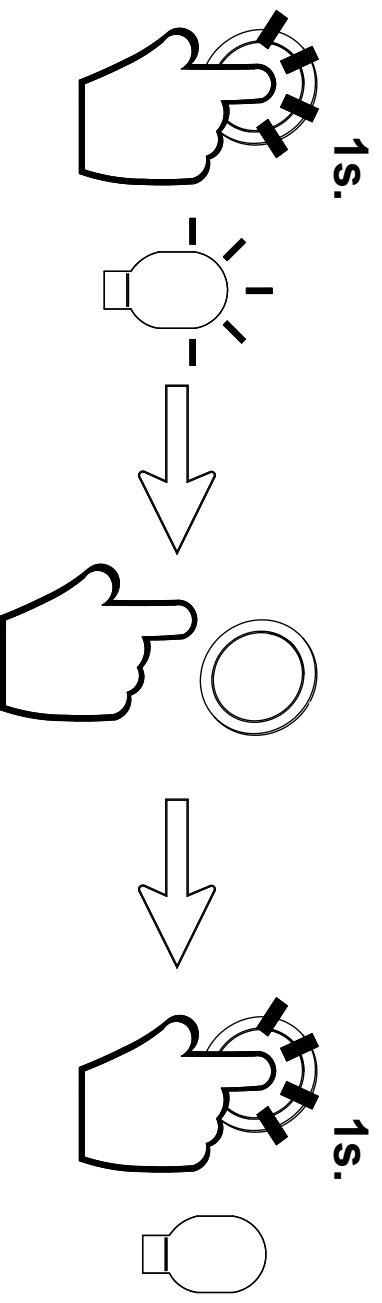
PL-LED 585



PL-LED 585

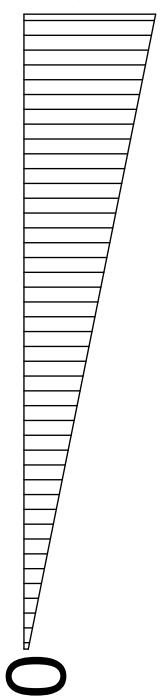
ZL10



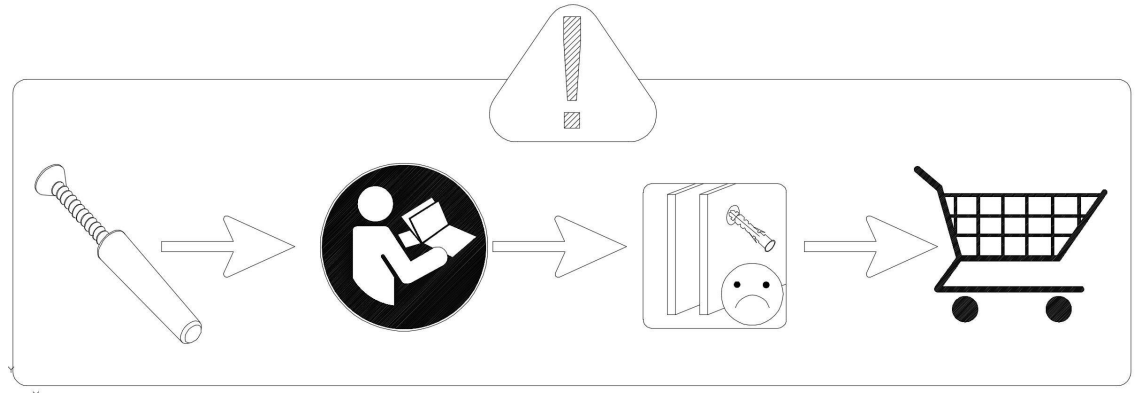
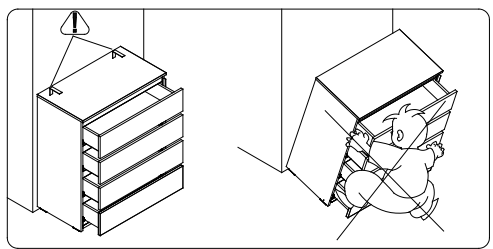
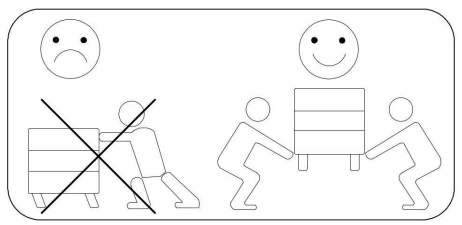
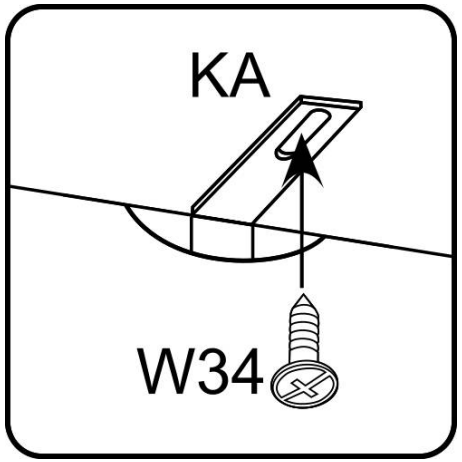
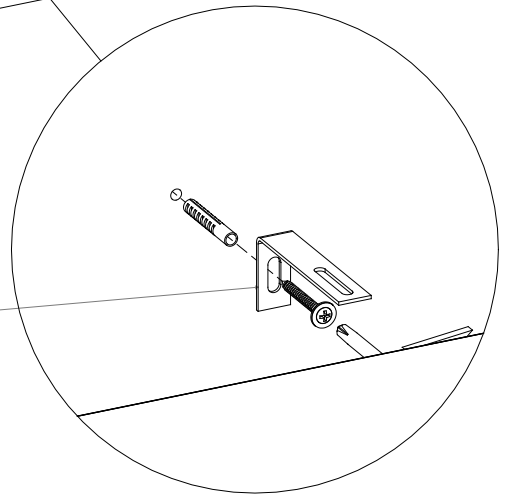
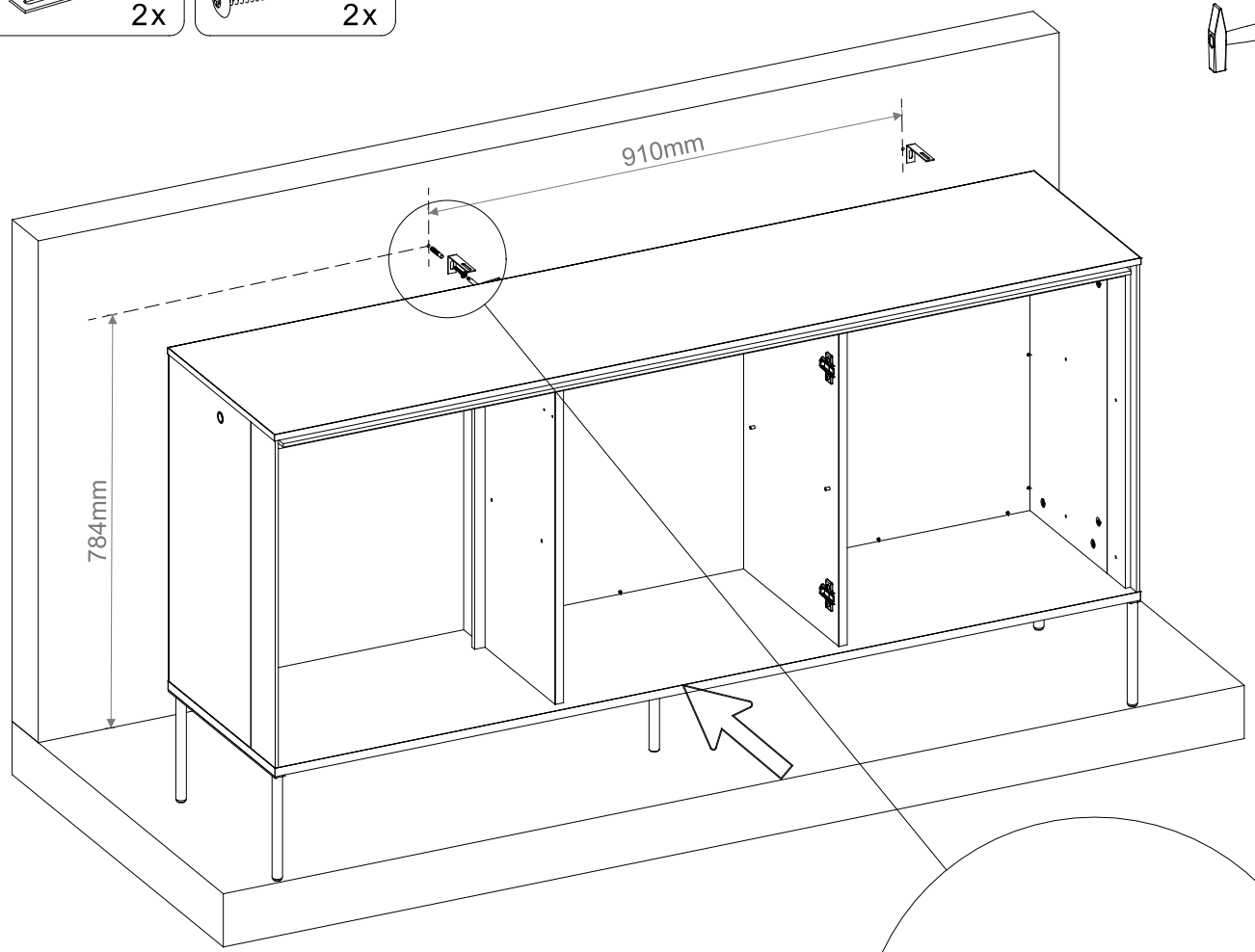
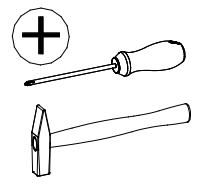
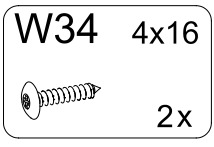
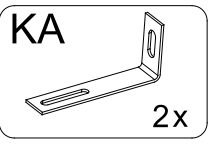


100%

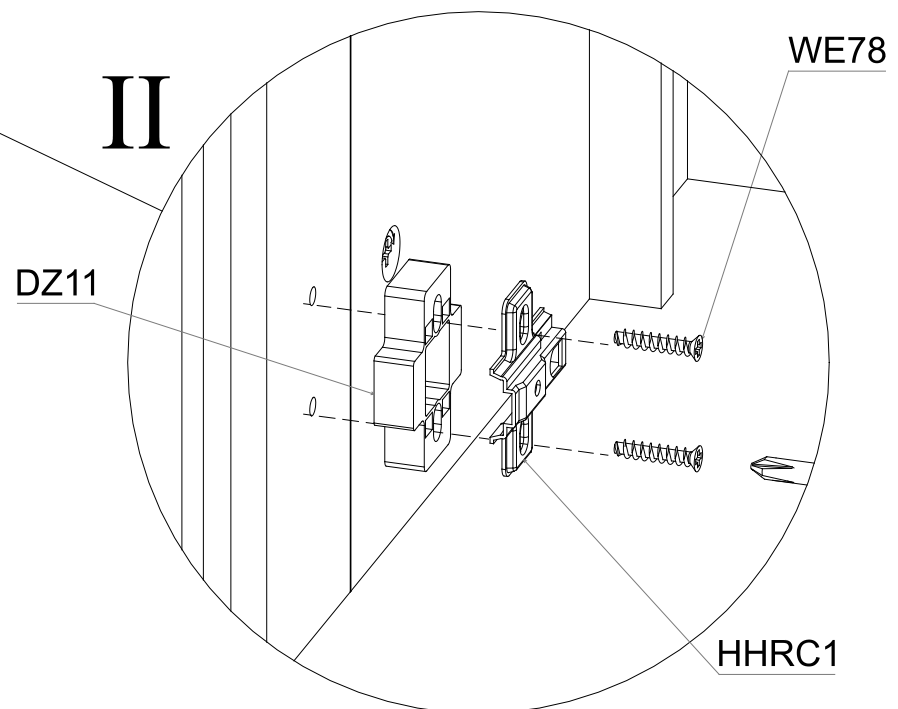
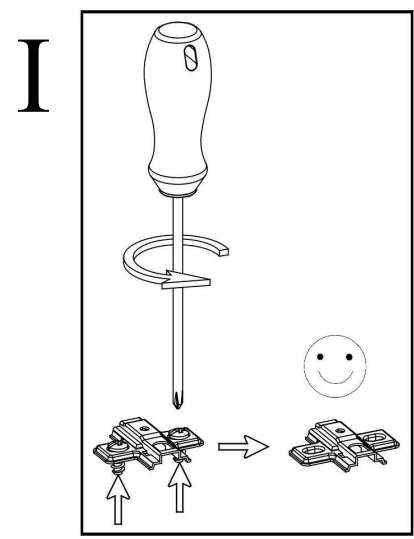
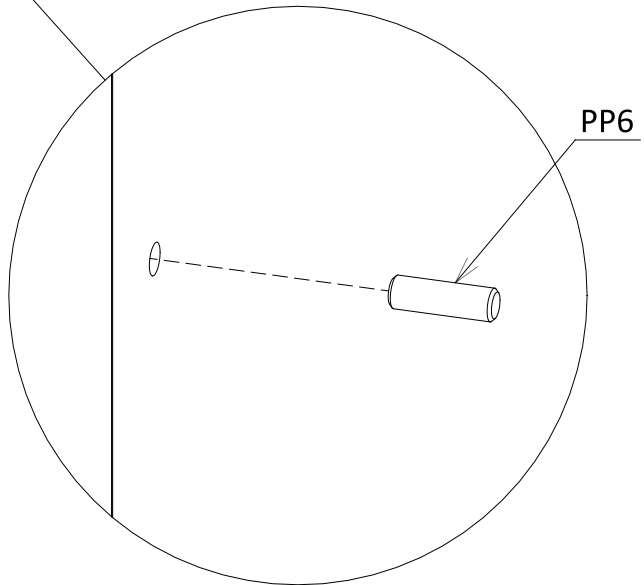
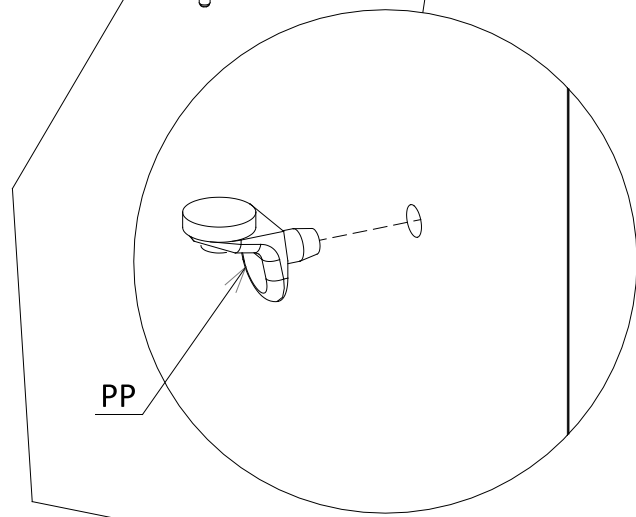
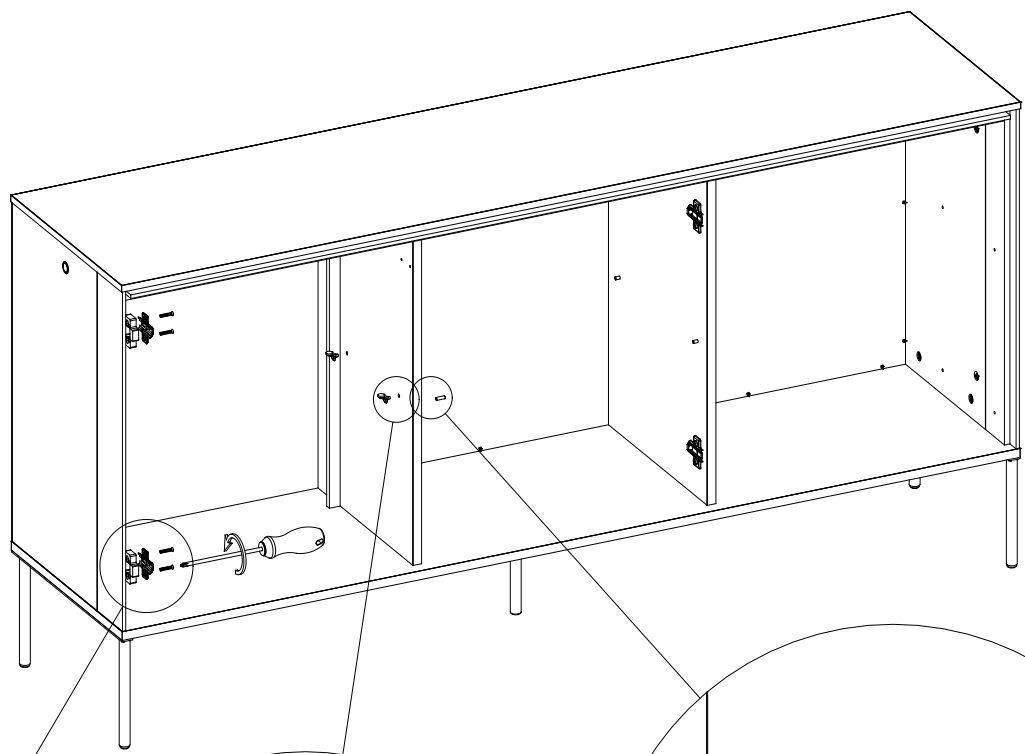
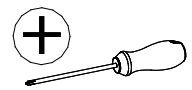
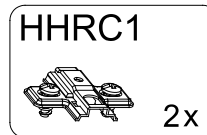
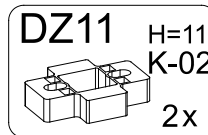
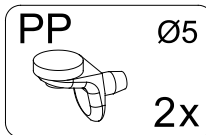
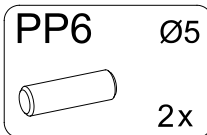
100%

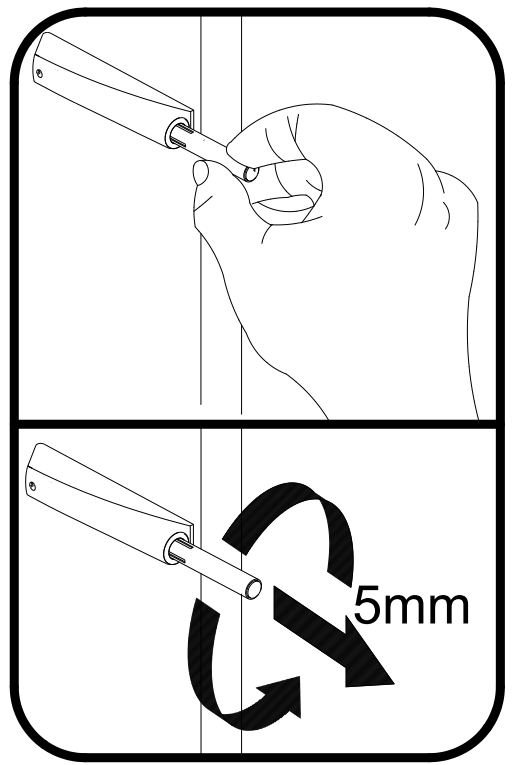
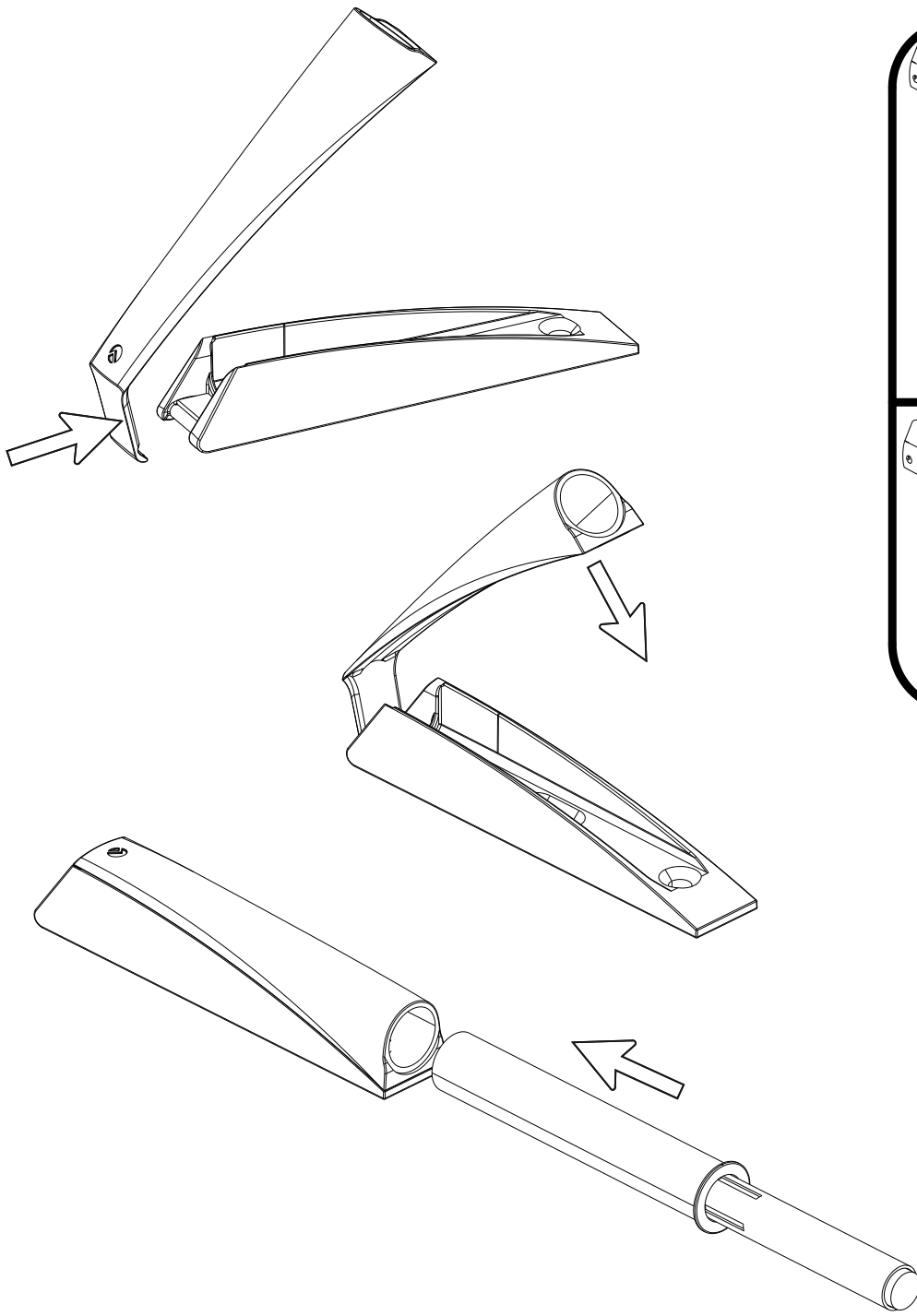
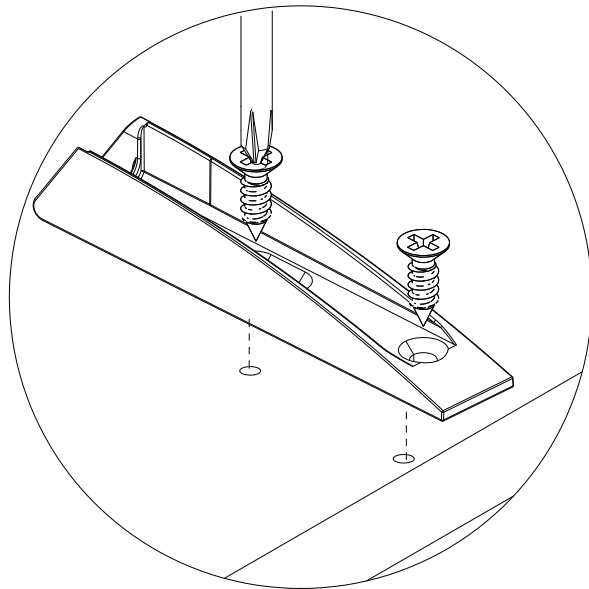


26



27





OIF



1/3



2/3



3/3

2x

K-02

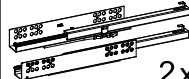
W3

3x13



4x

PQF22 L=350

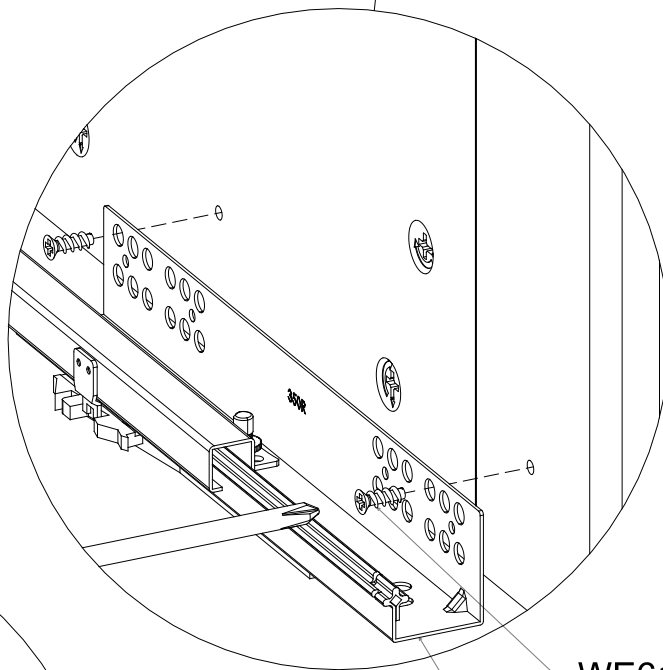
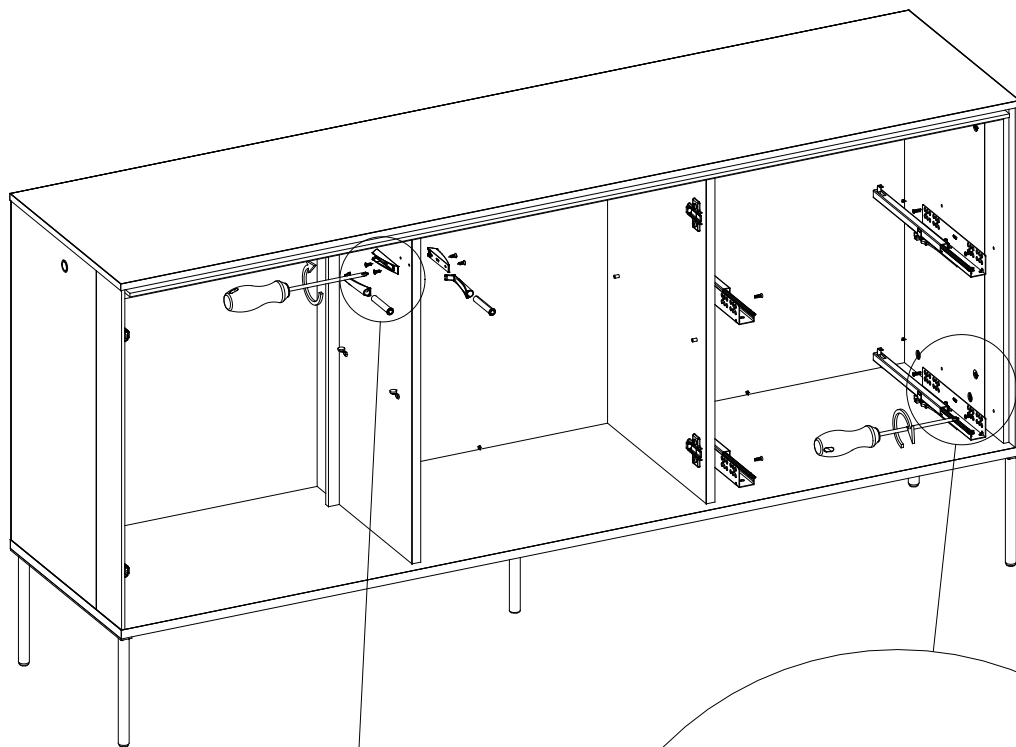
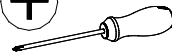


2x

WE61 5x13



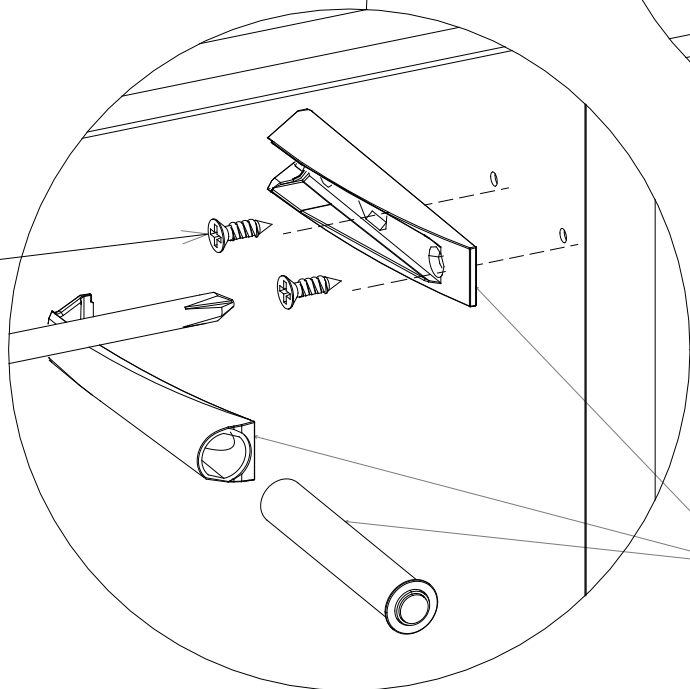
8x



WE61

PQF22

W3

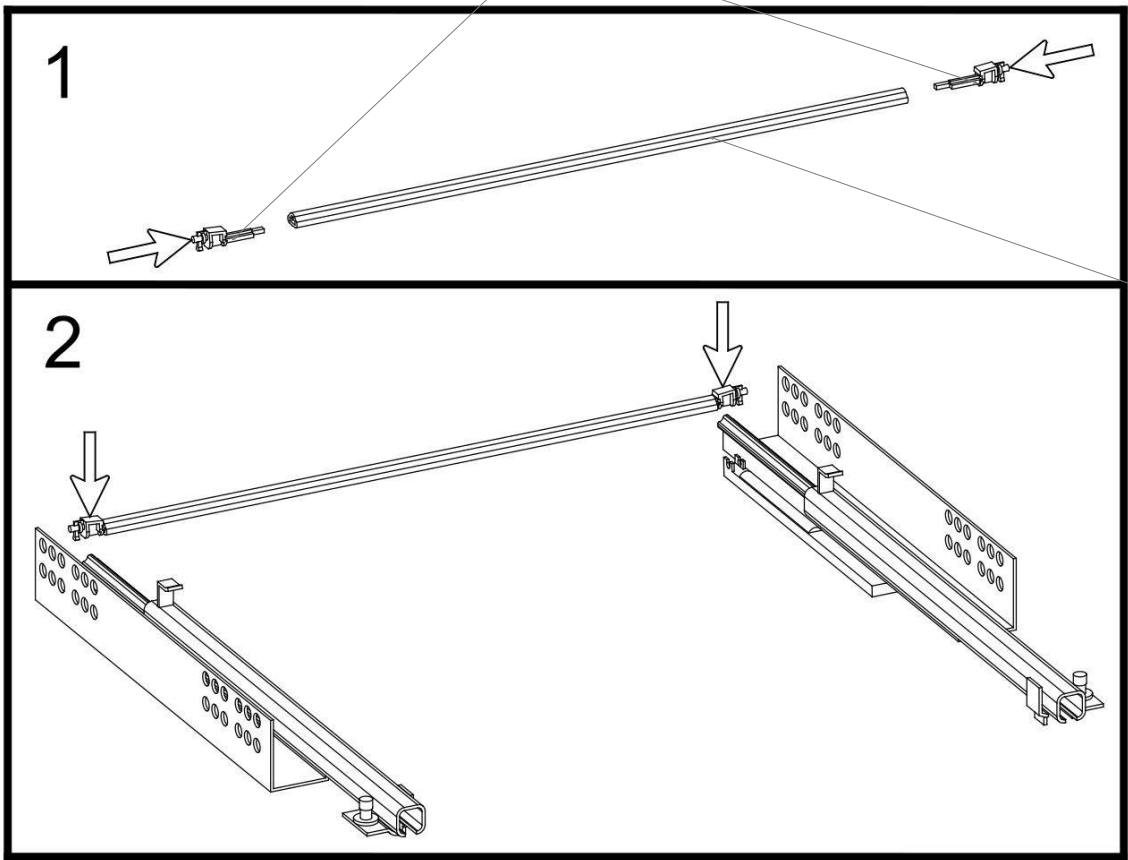


OIF

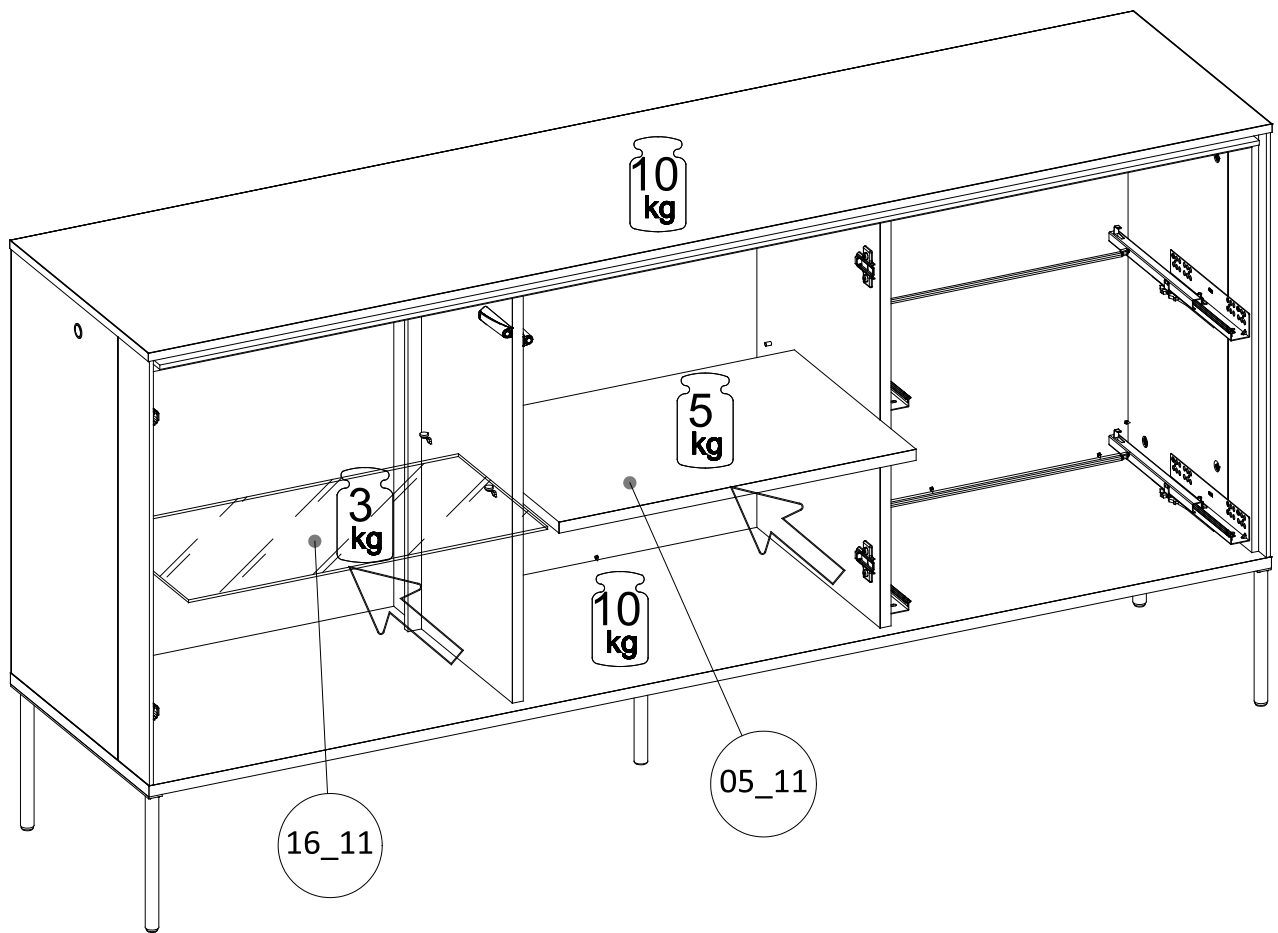
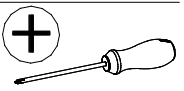
29

WSSQ
L=442 mm
2x

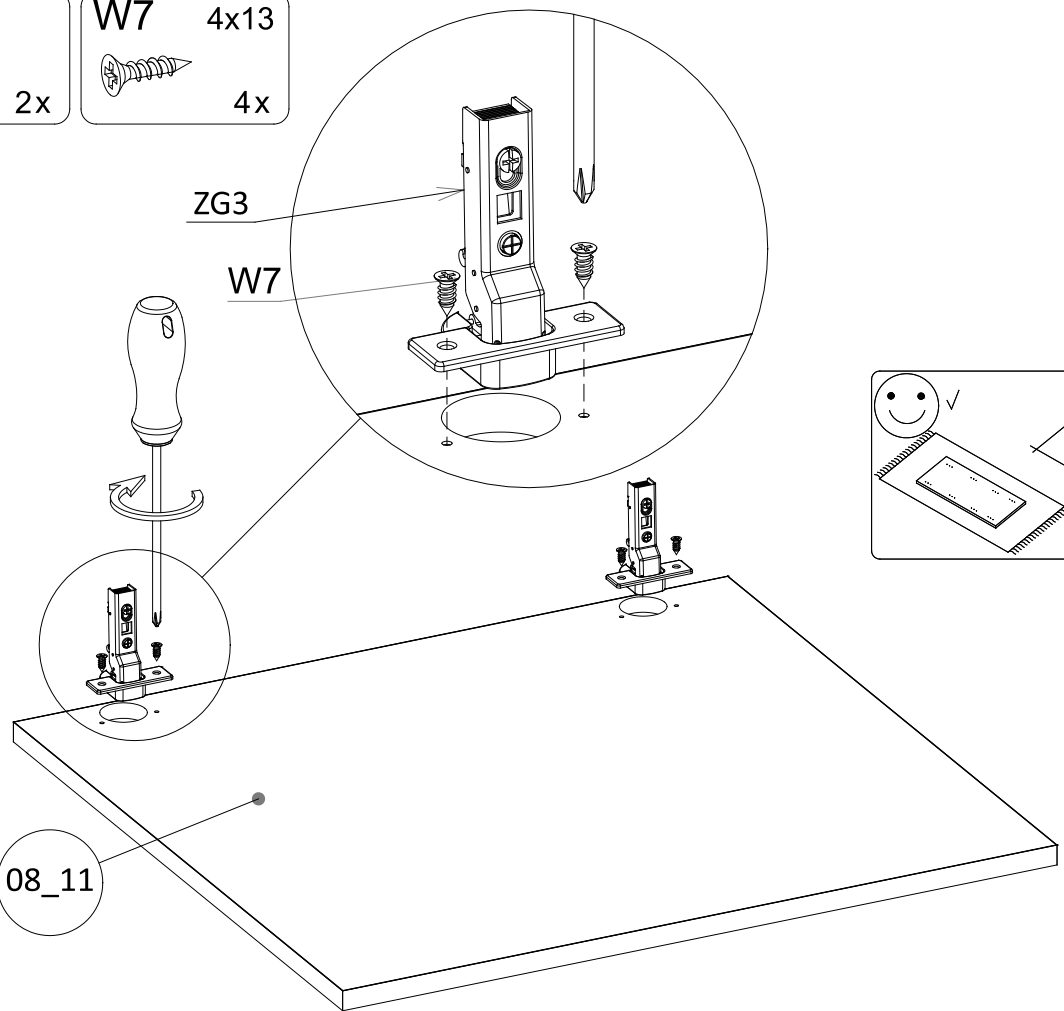
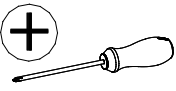
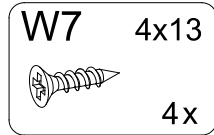
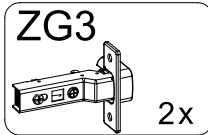
MS
4x



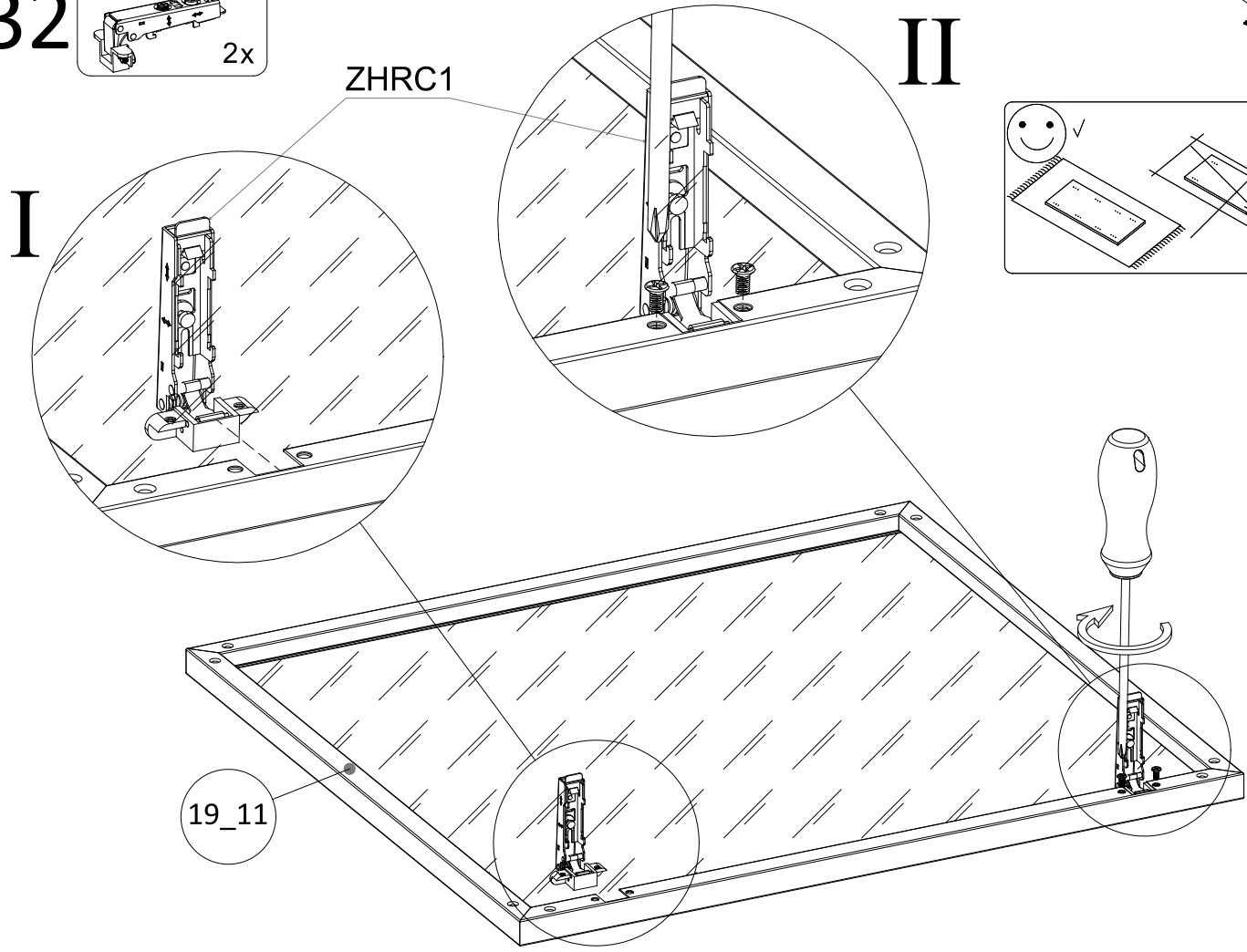
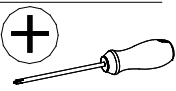
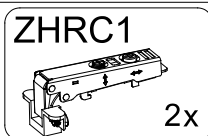
30

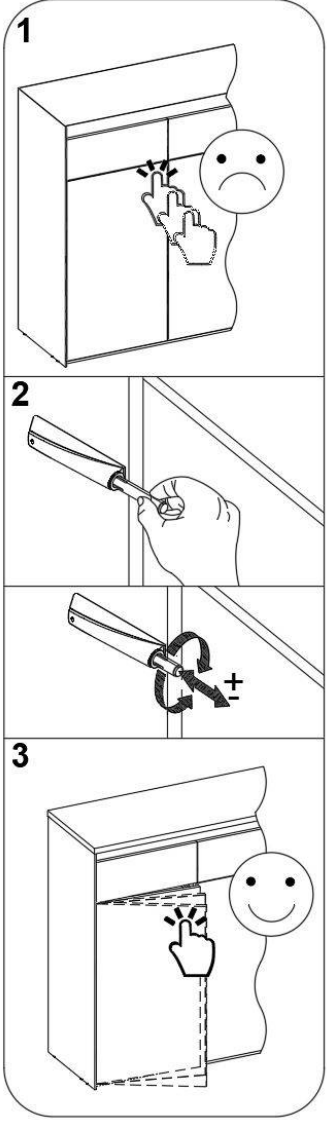
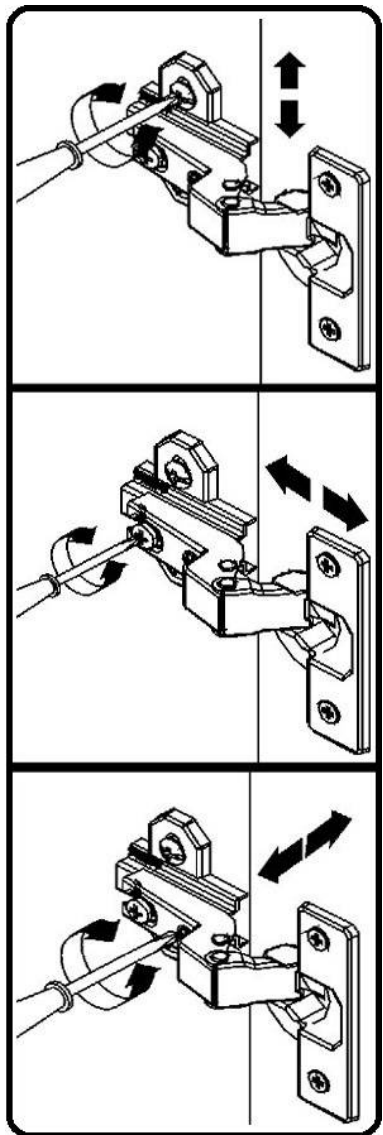
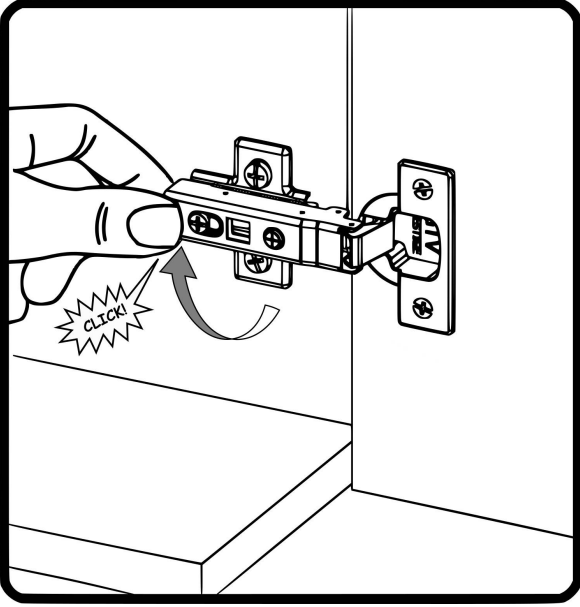
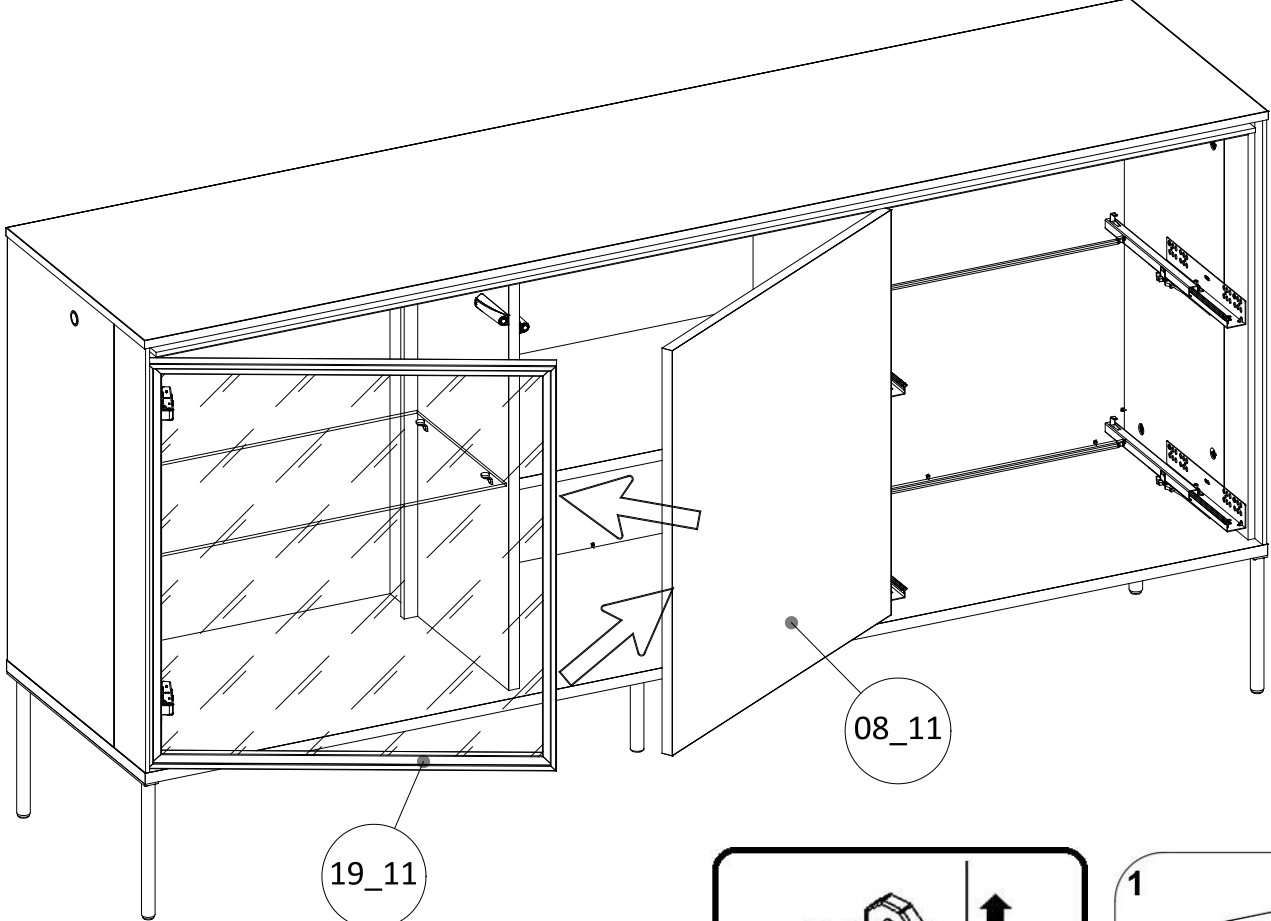
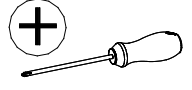


31

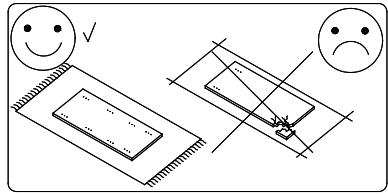
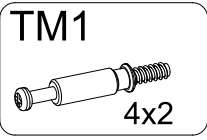


32

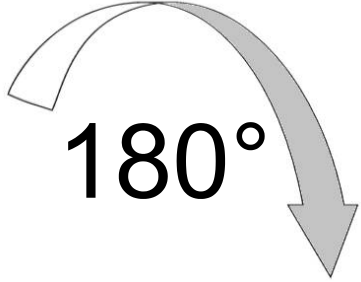
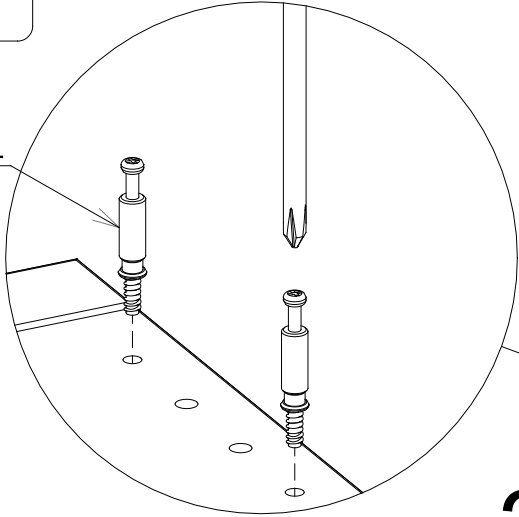




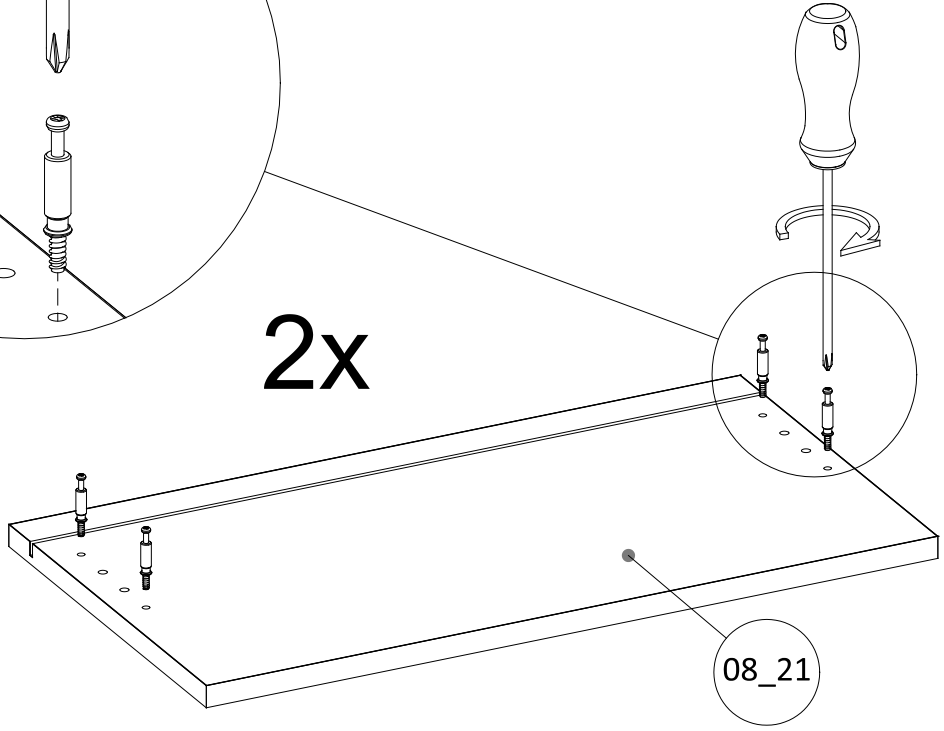
34



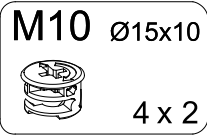
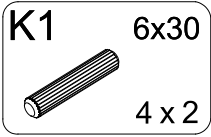
TM1



2x



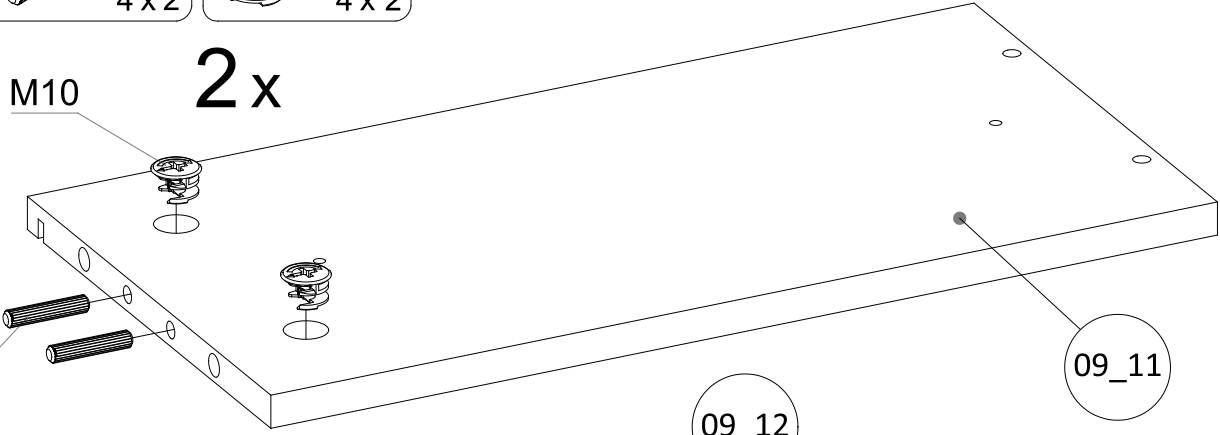
35



M10

2x

K1

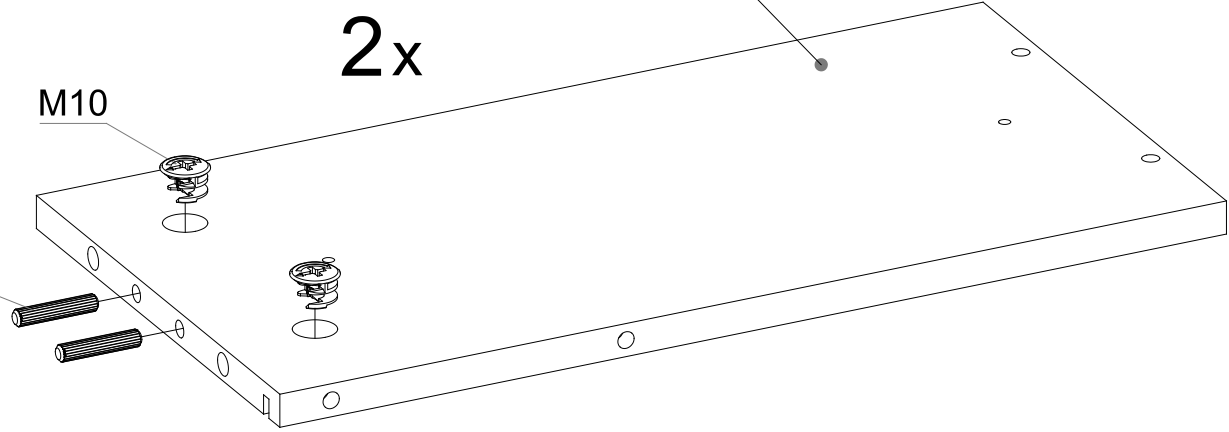


09_12

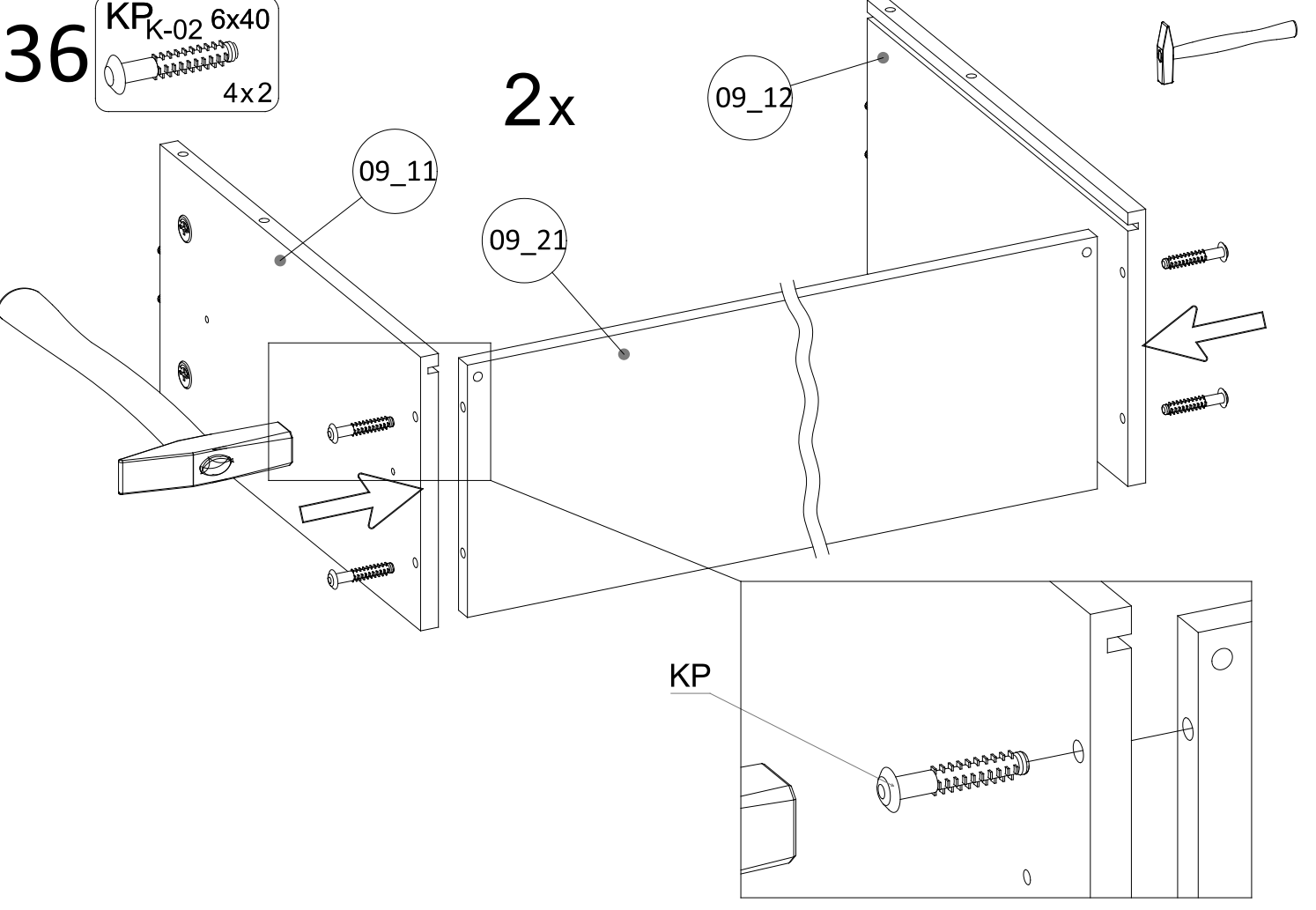
2x

M10

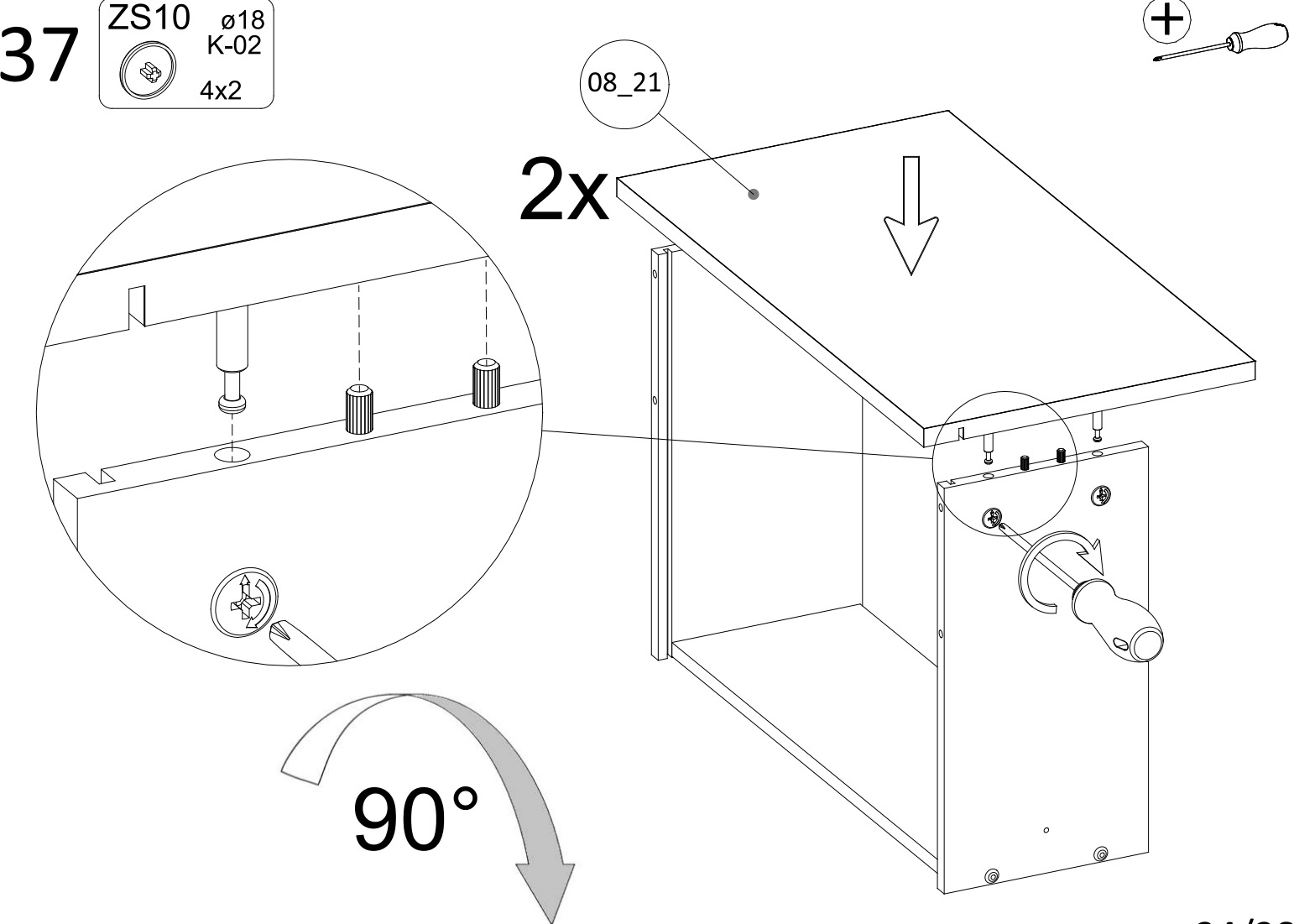
K1



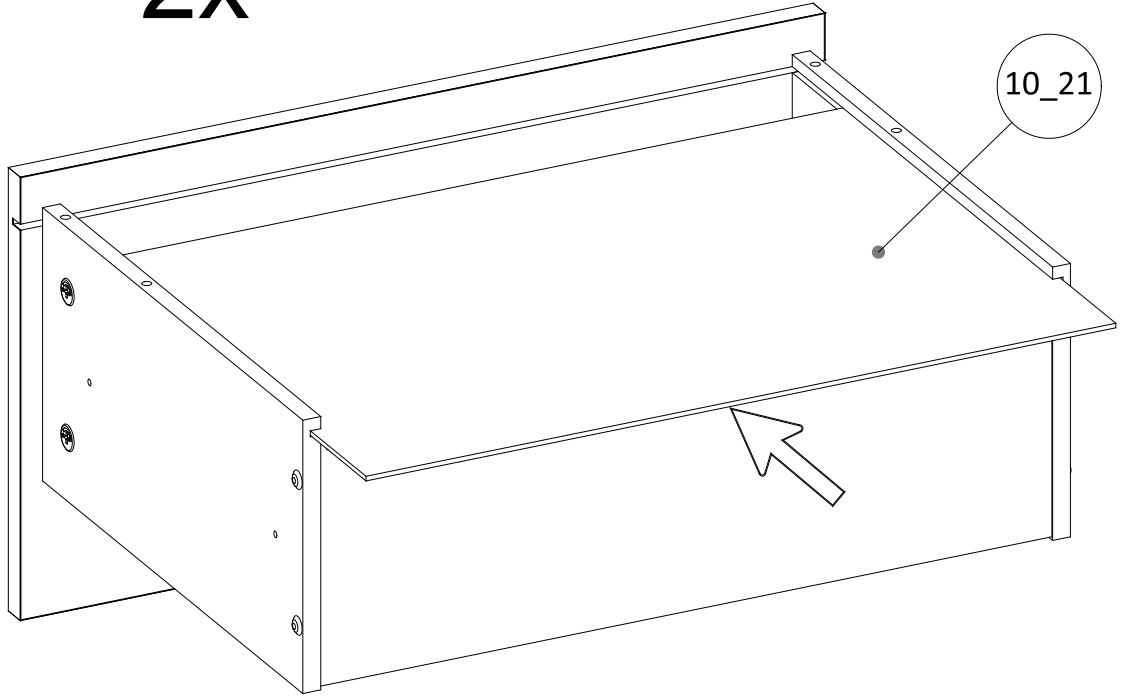
36 KP K-02 6x40
4x2



37 ZS10 ø18 K-02
4x2

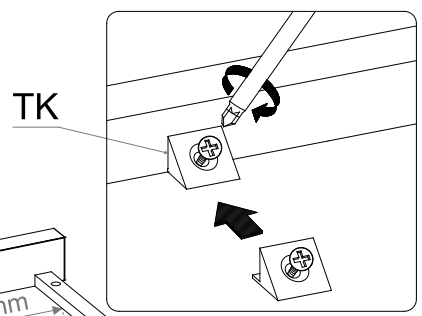
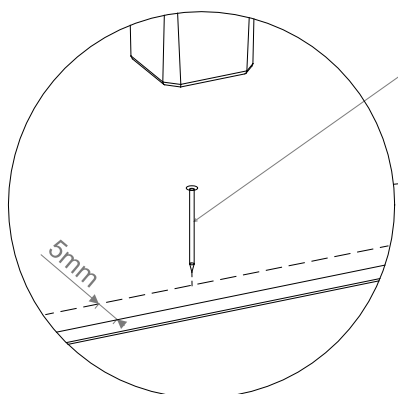
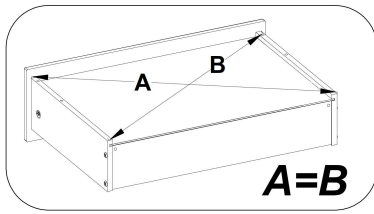
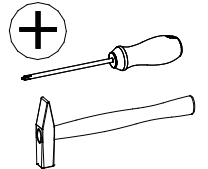


2x

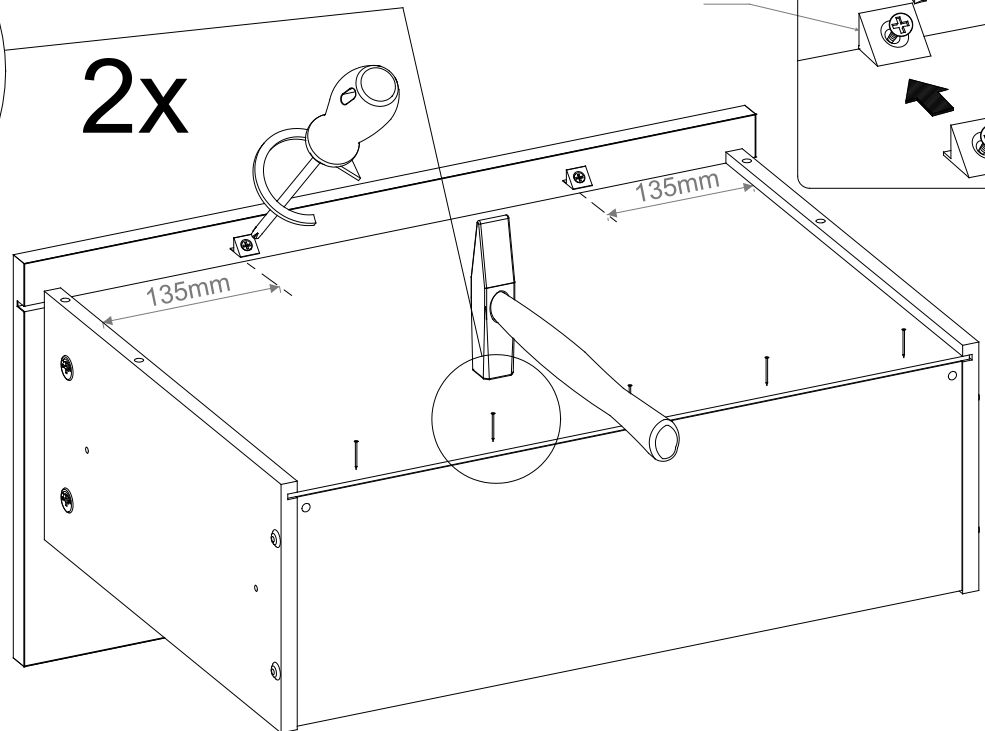


39

- G2 2,0x20 5x2
- TK 2x2



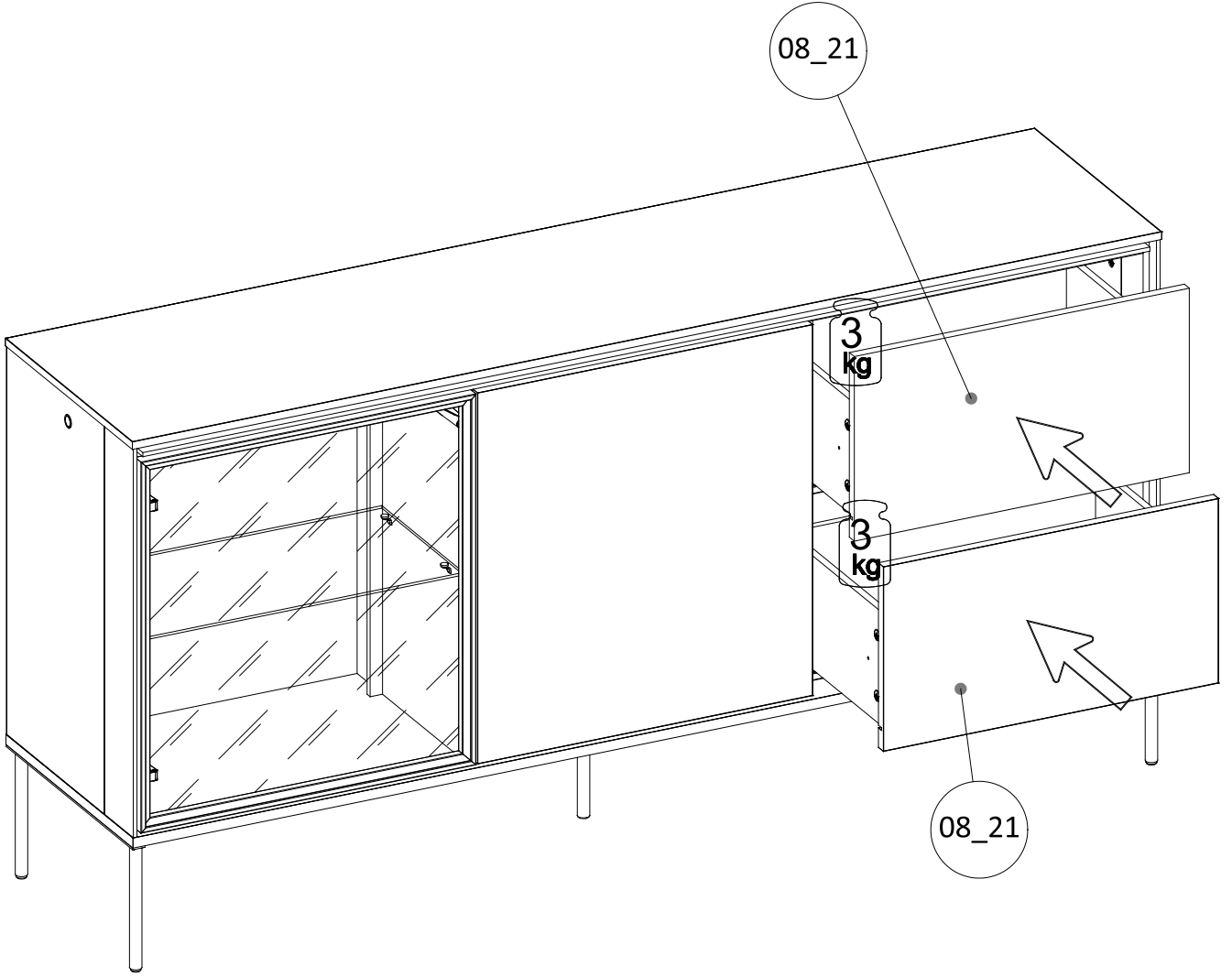
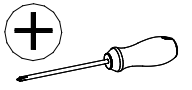

2x



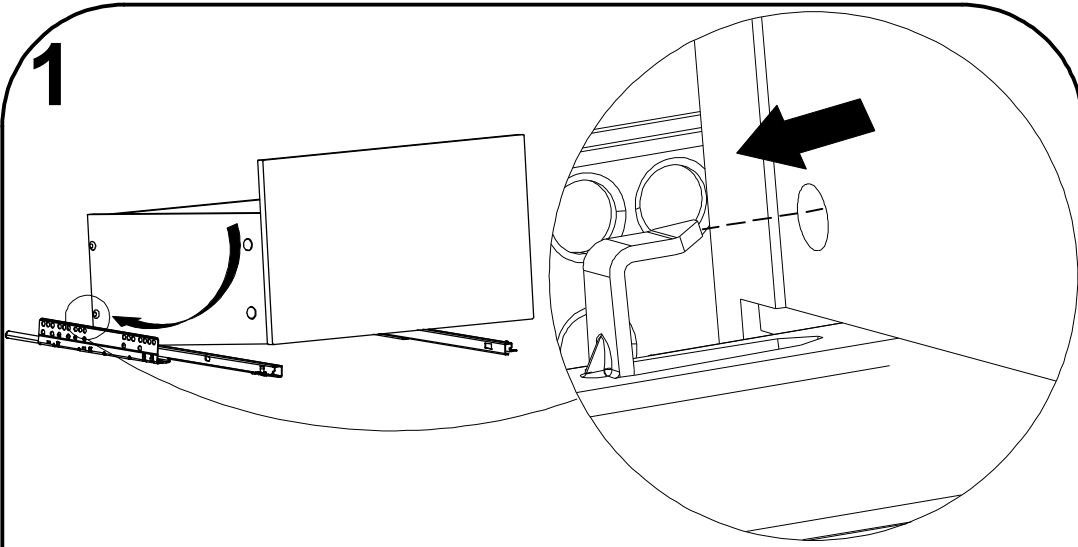
180°

40

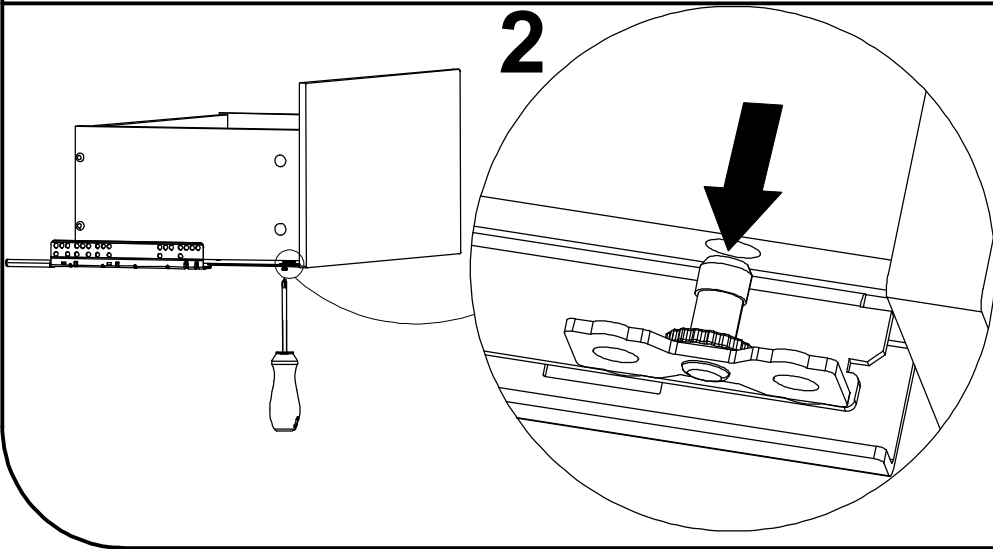
W3 3x13
4x



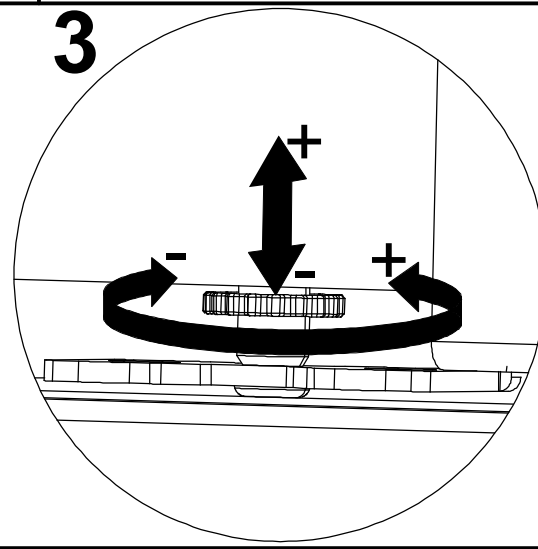
1



2



3



4

